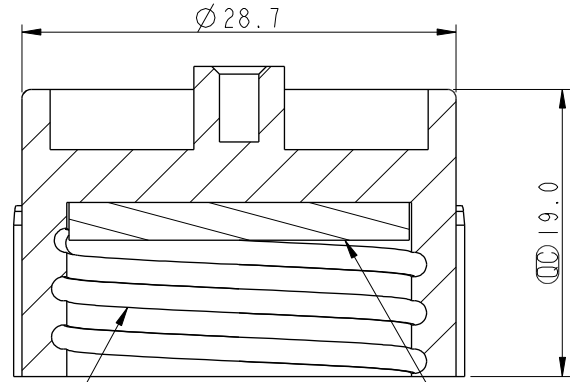
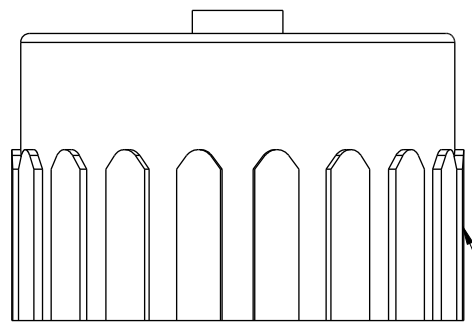


THIS DOCUMENT IS SUBJECT TO CHANGE WITHOUT NOTICE. IT IS CONFIDENTIAL AND A PROPERTY OF AMPHENOL LTW. DISCLOSURE TO THIRD PARTY HAS TO BE AUTHORIZED BY AMPHENOL LTW.

REV.	ECN NO.	DATE	SIGN	DESCRIPTION
A	Initial Release	2013-09-12	Vicky	Old Item No. CAP-WTAMMSAI

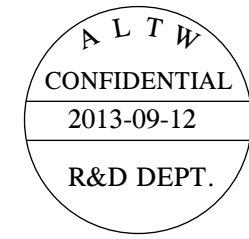
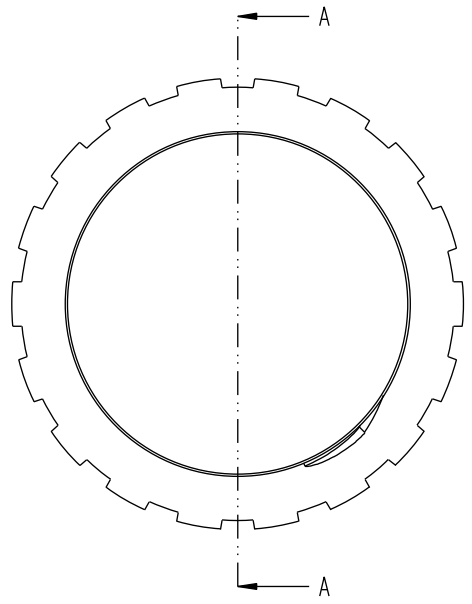


① Cap

TM25*8

Section A-A

② Gasket



- Note:
- * Ⓞ Important Dimension.
 - * Waterproof Rate: IP67
 - * Cap: Nylon+GF, Black
 - * Gasket: EPDM, Black

UNIT: mm		
TOLERANCE		
.X	±0.25	
.XX	±0.1	
.XXX	±0.05	
ANGLES	±1°	

TITLE Power Waterproof Cap TM25*8 For Male Conn Screw Type			
SCALE 2:1	SIZE A4	SHEET 1 OF 1	
REV. A	WC-REV. A.1	Ⓞ: Inspection item	

Amphenol LTW
安費諾亮泰企業股份有限公司

ITEM NO. CAP-WTAMMSAI	DRAWN BY Vicky	DATE 2013-09-12
DWG NO. CAP-WTAMMSAI	CHECKED BY Sam	DATE 2013-09-12
CUSTOMER ALTW	APPROVED BY Rita	DATE 2013-09-12