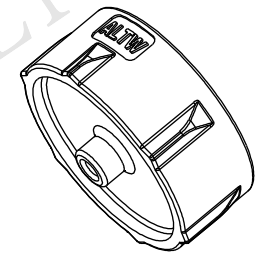
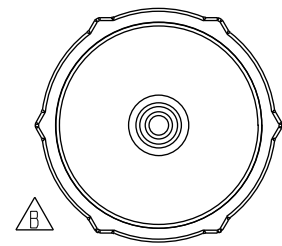
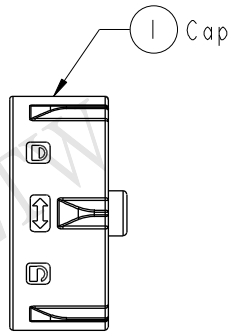
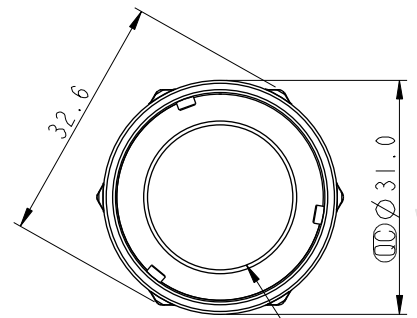
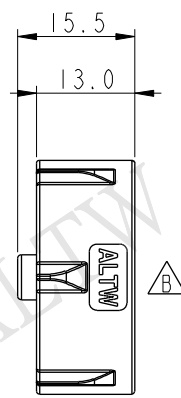


THIS DOCUMENT IS SUBJECT TO CHANGE WITHOUT NOTICE. IT IS CONFIDENTIAL AND A PROPERTY OF Amphenol LTW. DISCLOSURE TO THIRD PARTY HAS TO BE AUTHORIZED BY Amphenol LTW.

REV.	ECN NO.	DATE	SIGN	DESCRIPTION
A	Initial Release	2014/05/22	Vicky	Old Item No. CAP-WFBPFLAI
B	LEN15A0260	2015/10/08	Vicky	Update Logo and Screw Hole

ALTW
 CONFIDENTIAL
 2015-10-08
 R&D DEPT.



ALTW
 DCC. DEPT.
 CONFIDENTIAL
 2015.10.15
 ISSUED

Note:
 * Waterproof Rate: IP67
 * Cap: PPO, UL94V-0, Black
 * Gasket: Silicone, UL94V-0, Gray

UNIT: mm		
TOLERANCE		
.X	±0.25	
.XX	±0.1	
.XXX	±0.05	
ANGLES	±1°	

TITLE Waterproof Cap, Fiber 3 Point Lock			
SCALE 1:1	SIZE A4	SHEET 1 OF 1	
REV. B	WC-REV. A.1	QC: Inspection item	

Amphenol LTW
 安費諾亮泰企業股份有限公司

ITEM NO. CAP-WFBMTMAI	DRAWN BY Vicky	DATE 2015-10-08
DWG NO. CAP-WFBMTMAI	CHECKED BY Rita	DATE 2015-10-08
CUSTOMER ALTW	APPROVED BY Lisa	DATE 2015-10-08

