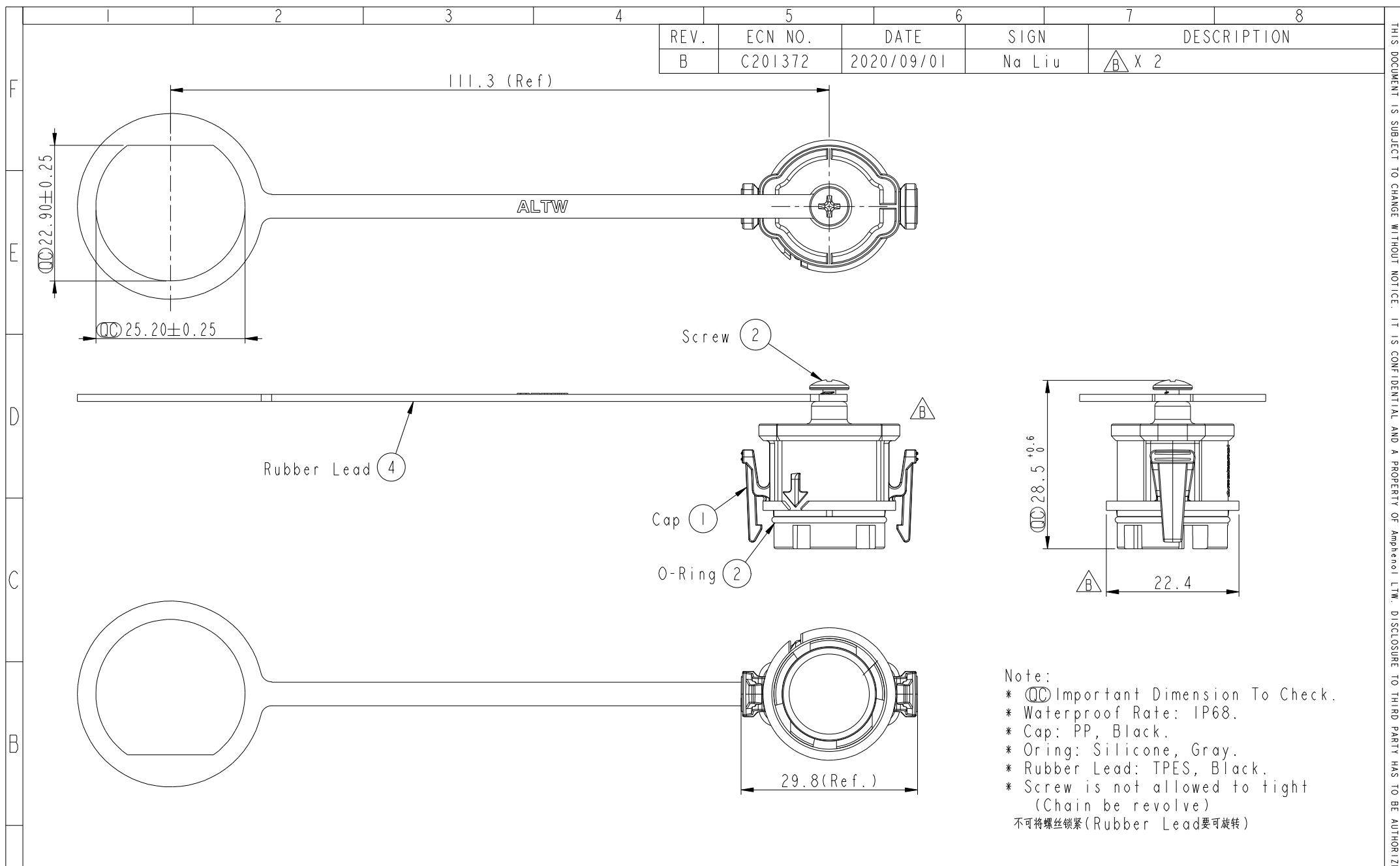


THIS DOCUMENT IS SUBJECT TO CHANGE WITHOUT NOTICE. IT IS CONFIDENTIAL AND A PROPERTY OF Amphenol LTW. DISCLOSURE TO THIRD PARTY HAS TO BE AUTHORIZED BY Amphenol LTW.

REV.	ECN NO.	DATE	SIGN	DESCRIPTION
B	C201372	2020/09/01	Na Liu	$\triangle B \times 2$



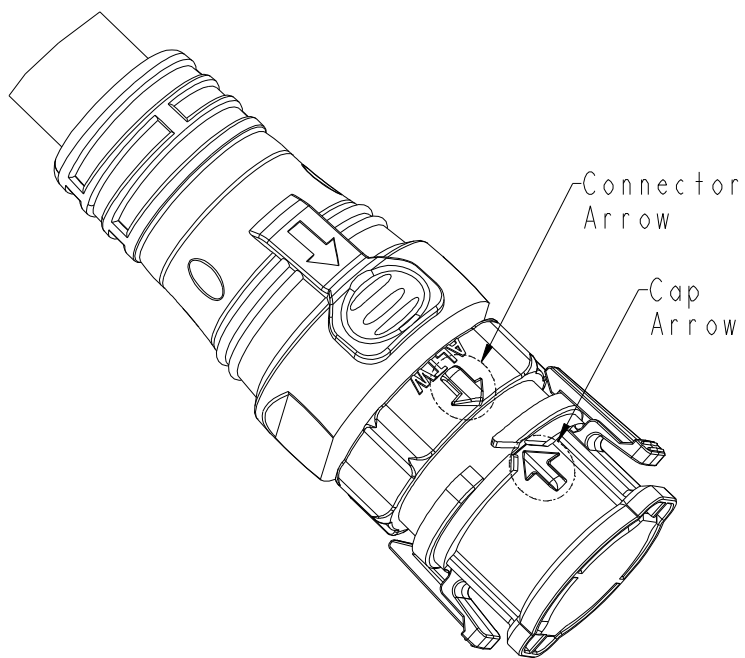
Note:  
 \*  $\varnothing$  Important Dimension To Check.  
 \* Waterproof Rate: IP68.  
 \* Cap: PP, Black.  
 \* O-ring: Silicone, Gray.  
 \* Rubber Lead: TPES, Black.  
 \* Screw is not allowed to tight  
 (Chain be revolve)  
 不可将螺丝锁紧(Rubber Lead要可旋转)

UNIT: mm TOLERANCE $\pm 0.5\text{mm}$ $\triangle B$	TITLE X-Lok Waterproof Cap D Size For Receptacle			Amphenol LTW 安費諾亮泰企業股份有限公司		ITEM NO. CAP-WADMQPC1	DRAWN BY Micky	DATE 2015-06-15
	SCALE 6:5	SIZE A4	SHEET 1 OF 2			DWG NO. CAP-WADMQPC1	CHECKED BY Spring	DATE 2015-06-15
	REV. B	WC-REV. A.4	$\varnothing$ : Inspection item	CUSTOMER ALTW	APPROVED BY Kevin	DATE 2015-06-15		

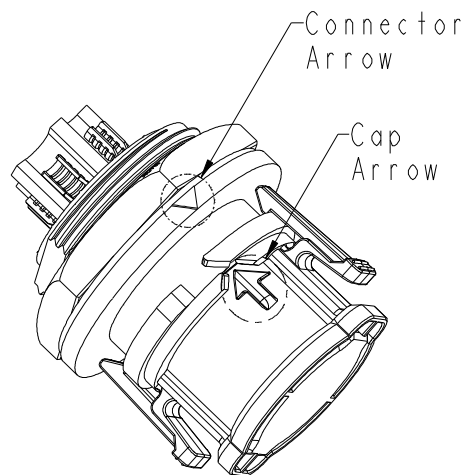
THIS DOCUMENT IS SUBJECT TO CHANGE WITHOUT NOTICE. IT IS CONFIDENTIAL AND A PROPERTY OF Amphenol LTW. DISCLOSURE TO THIRD PARTY HAS TO BE AUTHORIZED BY Amphenol LTW.

# Assembly instruction:

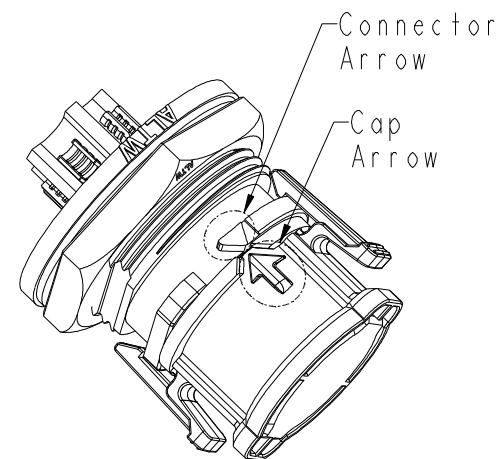
**\* Please align the cap arrow to connector arrow.**



Cap & Overmolded with cable



Cap & Receptacle  
(Rear Mount)



Cap & Receptacle  
(Front Mount)

UNIT: mm  
TOLERANCE

TITLE X-Lok Waterproof Cap D Size For Receptacle			
SCALE 6:5	SIZE A4	SHEET 2 OF 2	
REV. B	WC-REV. A.4	QC: Inspection item	

**Amphenol LTW**  
安費諾亮泰企業股份有限公司

ITEM NO CAP-WADMQPC1	DRAWN BY Micky	DATE 2015-06-15
DWG NO CAP-WADMQPC1	CHECKED BY Spring	DATE 2015-06-15
CUSTOMER ALTW	APPROVED BY Kevin	DATE 2015-06-15