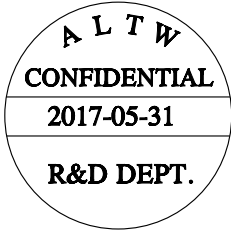
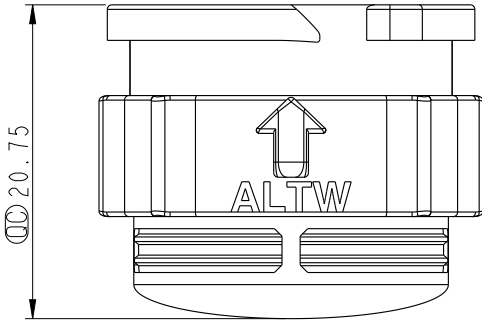
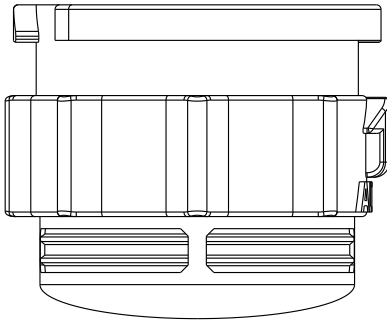
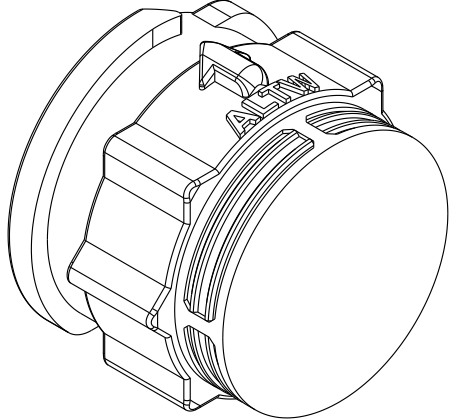
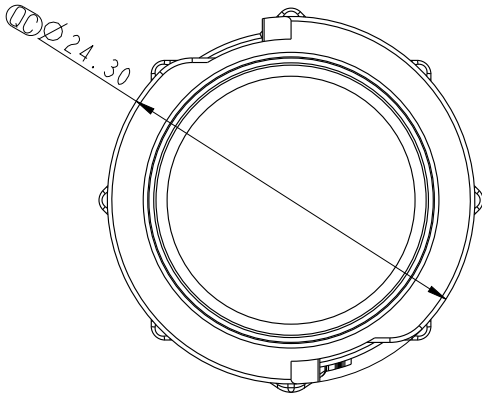


REV.	ECN NO.	DATE	SIGN	DESCRIPTION
B	LEN1790126	2017-05-31	Frank Deng	Delete The Dimension 25.40



Note:  
 \*  $\text{CC}$  Important Dimension To Check.  
 \* Waterproof Rate: IP68.  
 \* Housing: PP, Black

UNIT: mm		
TOLERANCE	$\pm 0.25$	
.X	$\pm 0.1$	
.XX	$\pm 0.05$	
.XXX	$\pm 1^\circ$	
ANGLES		

TITLE X-Lok D-Size Waterproof Cap For Femle Conn.			
SCALE 2:1	SIZE A4	SHEET 1 OF 1	
REV. B	WC-REV. A.1	$\text{CC}$ : Inspection item	

**Amphenol LTW**  
 安費諾亮泰企業股份有限公司

ITEM NO. CAP-WADFQMA1	DRAWN BY Frank Deng	DATE 2017-05-31
DWG NO. CAP-WADFQMA1	CHECKED BY Fisher Wang	DATE 2017-05-31
CUSTOMER ALTW	APPROVED BY Kevin Hu	DATE 2017-05-31

THIS DOCUMENT IS SUBJECT TO CHANGE WITHOUT NOTICE. IT IS CONFIDENTIAL AND A PROPERTY OF AMPHENOL LTW. DISCLOSURE TO THIRD PARTY HAS TO BE AUTHORIZED BY AMPHENOL LTW.

F  
E  
D  
C  
B  
A