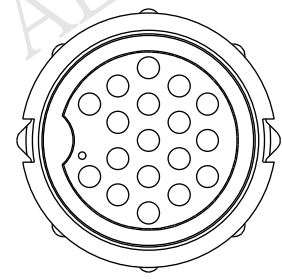
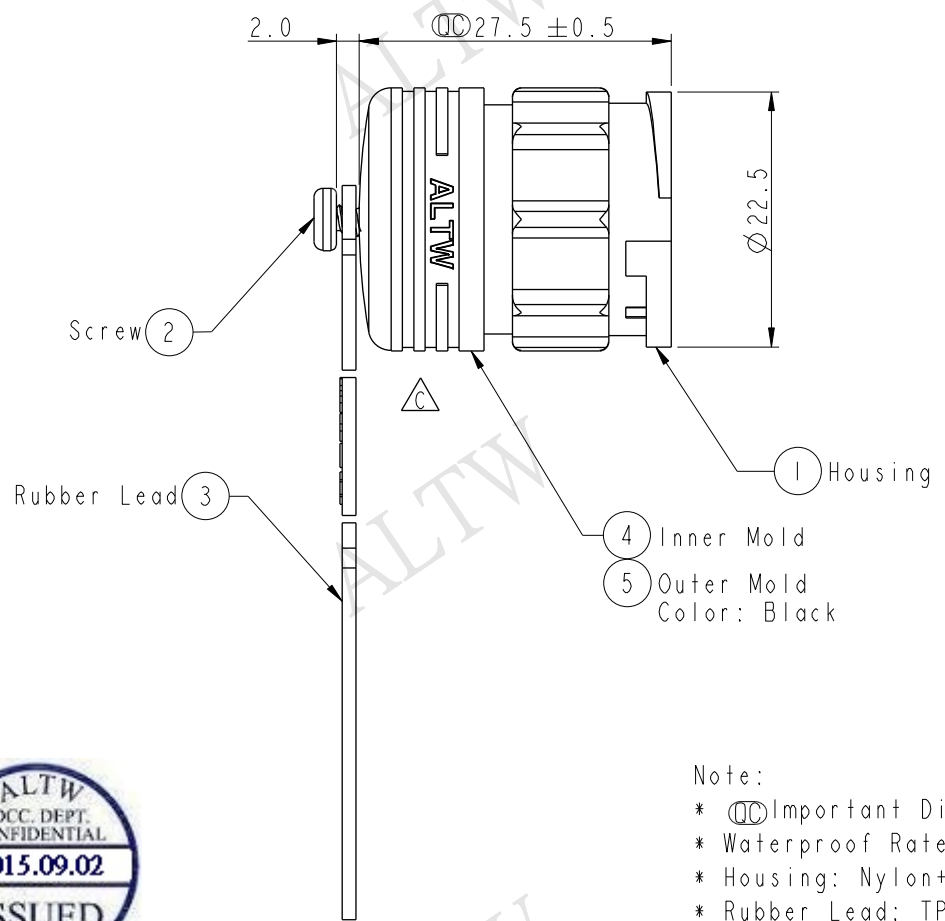
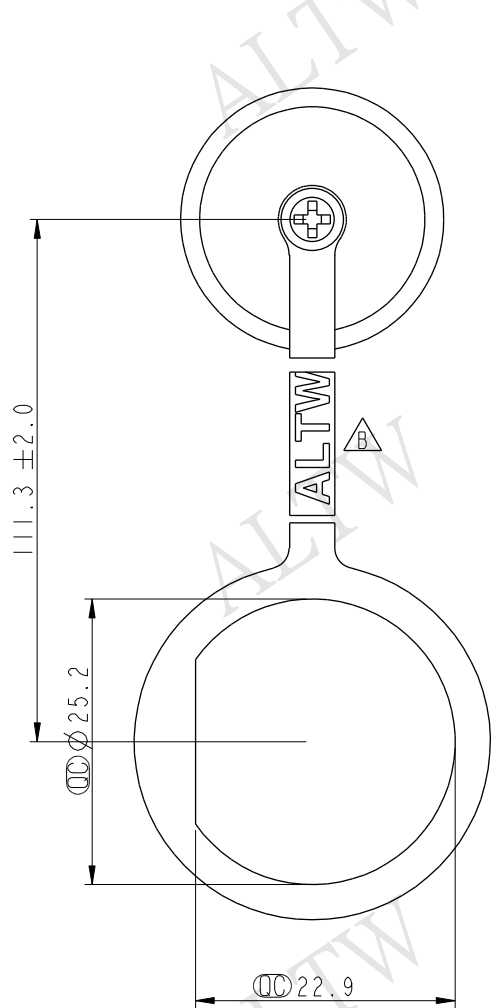


REV.	ECN NO.	DATE	SIGN	DESCRIPTION
A	Initial Release	2013/09/11	Vicky	Old Item No. CAP-WADCFLC2
B	LEN1490231	2014-08-26	Feng_Li	Change LTW To ALTW
C	LEN1590033	2015/08/21	Ruru	Change Logo



ALTW
 CONFIDENTIAL
 2015-08-21
 R&D DEPT.

ALTW
 DCC. DEPT.
 CONFIDENTIAL
 2015.09.02
 ISSUED

- Note:
- * \varnothing Important Dimension.
 - * Waterproof Rate: IP67
 - * Housing: Nylon+GF, Black
 - * Rubber Lead: TPES, Black
 - * Screw is not allowed to tight (Chain be revolve)
不可將螺絲鎖緊, (鏈條要可旋轉)
 - * Drill Hold \varnothing 2.3mm, Depth 4mm.
鑽孔 \varnothing 2.3mm, 深4mm

UNIT: mm TOLERANCE .X ±0.25 .XX ±0.1 .XXX ±0.05 ANGLES ±1°		TITLE Large Size Waterproof Cap for F Conn M Pin			Amphenol LTW 安費諾亮泰企業股份有限公司		ITEM NO CAP-WADFLPC2	DRAWN BY Ruru	DATE 2015-08-21
		SCALE 3:2	SIZE A4	SHEET 1 OF 1	DWG NO CAP-WADFLPC2		CHECKED BY Rita	DATE 2015-08-21	
		REV. C	WC-REV. A.2	\varnothing : Inspection item	CUSTOMER ALTW	APPROVED BY Lion	DATE 2015-08-21		

THIS DOCUMENT IS SUBJECT TO CHANGE WITHOUT NOTICE. IT IS CONFIDENTIAL AND A PROPERTY OF Amphenol LTW. DISCLOSURE TO THIRD PARTY HAS TO BE AUTHORIZED BY Amphenol LTW.