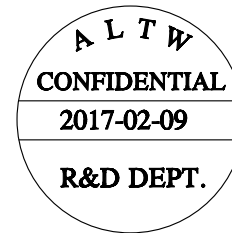
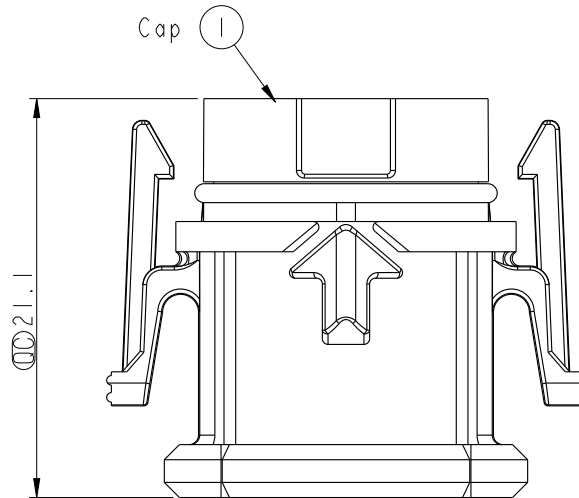
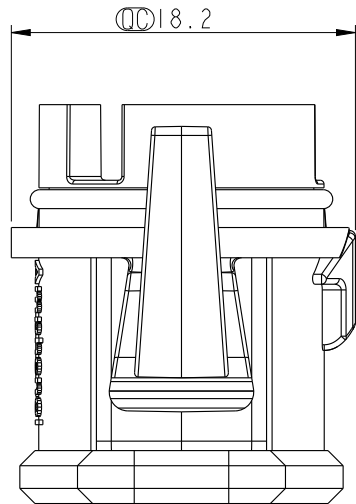
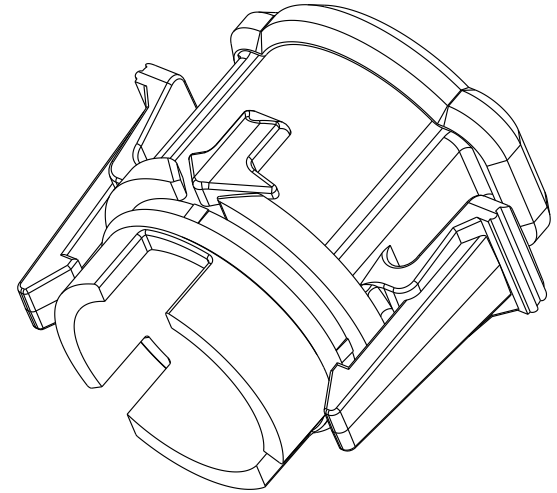
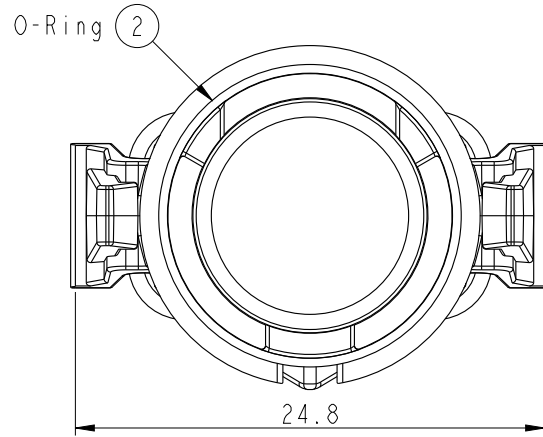


REV.	ECN NO.	DATE	SIGN	DESCRIPTION
B	LE31720233	2017-02-09	Frank Deng	Change Waterproof Rate



Note:

- \*  $\varnothing$  Important Dimension To Check.
- \*  $\triangle$  Waterproof Rate: IP68  
(In 1 meter water within 24 hours)
- \* Housing: PP, Black
- \* Oring: Silicone, Gray

UNIT: mm		
TOLERANCE	.X ±0.25	
.XX ±0.1		
.XXX ±0.05		
ANGLES	±1°	

TITLE X-Lok C-Size Waterproof Cap For Male Conn.			
SCALE 5:2	SIZE A4	SHEET 1 OF 1	
REV. B	WC-REV. A.6	$\varnothing$ : Inspection item	

**Amphenol LTW**  
安費諾亮泰企業股份有限公司

ITEM NO. CAP-WACMQMA1	DRAWN BY Frank Deng	DATE 2017-02-09
DWG NO. CAP-WACMQMA1	CHECKED BY Spring Liu	DATE 2017-02-09
CUSTOMER ALTW	APPROVED BY Kevin Hu	DATE 2017-02-09

THIS DOCUMENT IS SUBJECT TO CHANGE WITHOUT NOTICE. IT IS CONFIDENTIAL AND A PROPERTY OF AMPHENOL LTW. DISCLOSURE TO THIRD PARTY HAS TO BE AUTHORIZED BY AMPHENOL LTW.