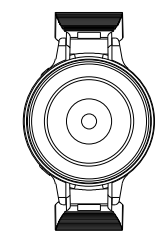
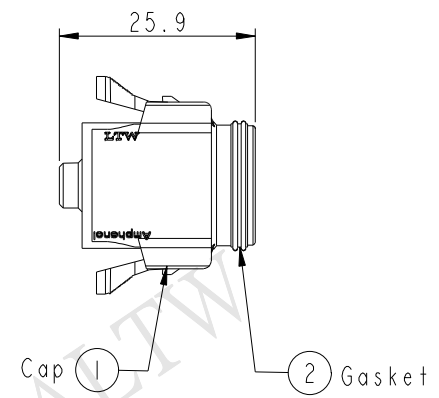
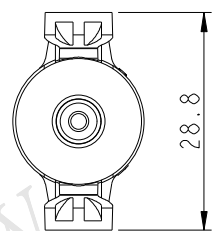


THIS DOCUMENT IS SUBJECT TO CHANGE WITHOUT NOTICE. IT IS CONFIDENTIAL AND A PROPERTY OF AMPHENOL LTW. DISCLOSURE TO THIRD PARTY HAS TO BE AUTHORIZED BY AMPHENOL LTW.

REV.	ECN NO.	DATE	SIGN	DESCRIPTION

ALTW
 CONFIDENTIAL
 2014-10-18
 R&D DEPT.



ALTW
 DCC. DEPT.
 CONFIDENTIAL
 2014.10.27
 ISSUED

Note:
 * Waterproof Rate: IP67
 * Cap: MPPE-540Z, Black
 * Gasket: Silicon, Gray

UNIT: mm TOLERANCE ±0.5	TITLE MIDDLE SIZE WATERPROOF CAP			Amphenol LTW 安費諾亮泰企業股份有限公司	ITEM NO CAP-WACFRMA1	DRAWN BY Rensong	DATE 2014-10-18
	SCALE 1:1	SIZE A4	SHEET 1 OF 1		DWG NO CAP-WACFRMA1	CHECKED BY Kt_he	DATE 2014-10-18
	REV. A	WC-REV. A.1	QC: Inspection item		CUSTOMER ALTW	APPROVED BY Jerry	DATE 2014-10-18