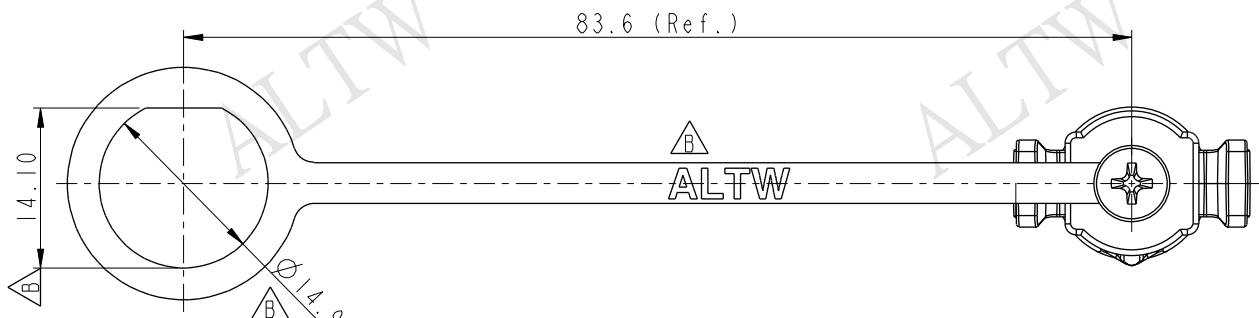
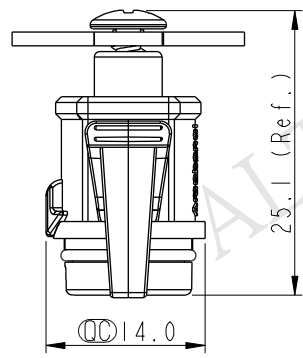
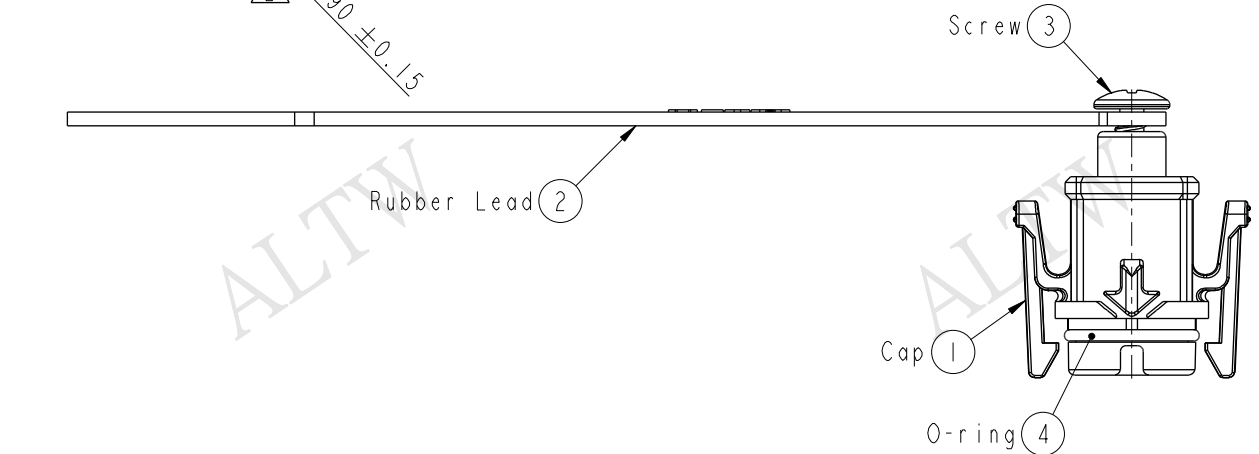


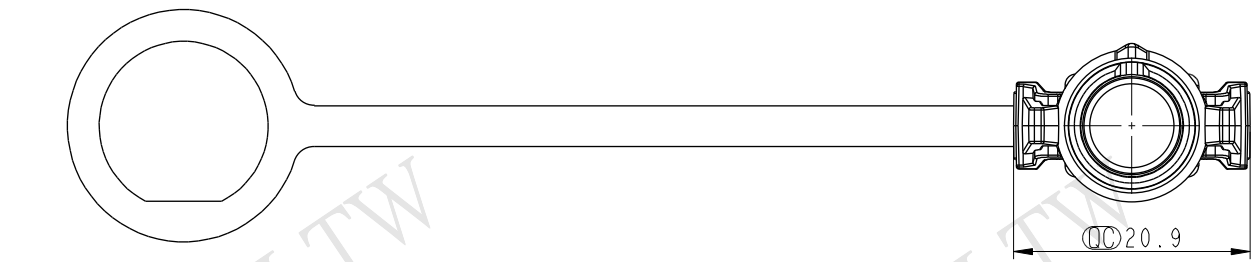
REV.	ECN NO.	DATE	SIGN	DESCRIPTION
B	LEN1560175	2015/06/04	Vicky	Update Logo & Add Dimension



ALTW
CONFIDENTIAL
2015-06-04
R&D DEPT.



ALTW
DCC. DEPT.
CONFIDENTIAL
2015.06.17
ISSUED



Note:
 * \varnothing Important Dimension.
 * Waterproof Rate: IP68(Mated, 1M/24hr)
 * Cap: Nylon+GF, Black
 * O-ring: Silicone ,Grey
 * Rubber Lead: TPES, Black
 * Screw is not allowed to tight
 (Chain be revolve)
 不可將螺絲鎖緊, (鏈條要可旋轉)

UNIT: mm		TITLE X-Lok B-Size Waterproof Cap For Receptacle Male Conn			<h1 style="margin: 0;">Amphenol LTW</h1> <p style="margin: 0;">安費諾亮泰企業股份有限公司</p>	ITEM NO	DRAWN BY	DATE
		SCALE 3:2	SIZE A4	SHEET 1 OF 1		CAP-WABMQPC1	Vicky	2015-06-04
TOLERANCE .X ±0.25 .XX ±0.1 .XXX ±0.05 ANGLES ±1°		REV. B	WC-REV. A.4	\varnothing : Inspection item	DWG NO CAP-WABMQPC1	CHECKED BY Rita	DATE 2015-06-04	
					CUSTOMER ALTW	APPROVED BY Lion	DATE 2015-06-04	

THIS DOCUMENT IS SUBJECT TO CHANGE WITHOUT NOTICE. IT IS CONFIDENTIAL AND A PROPERTY OF Amphenol LTW. DISCLOSURE TO THIRD PARTY HAS TO BE AUTHORIZED BY Amphenol LTW.