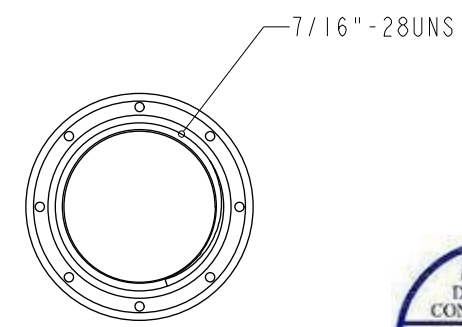
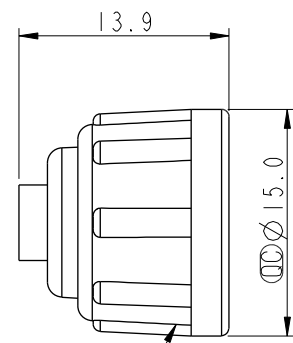
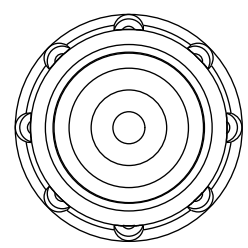
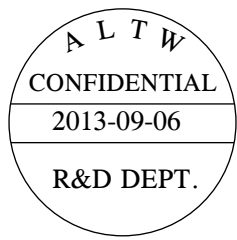


THIS DOCUMENT IS SUBJECT TO CHANGE WITHOUT NOTICE. IT IS CONFIDENTIAL AND A PROPERTY OF AMPHENOL LTW. DISCLOSURE TO THIRD PARTY HAS TO BE AUTHORIZED BY AMPHENOL LTW.

REV.	ECN NO.	DATE	SIGN	DESCRIPTION
A	Initial Release	2013/09/06	Vicky	Old Item No. CAP-WAAPMSAI



Waterproof Cap ①
Gasket ②



- Note:
- * \varnothing Important Dimension.
 - * Waterproof Rate: IP67
 - * Cap: Nylon+GF, Black
 - * Gasket: EPDM, Black

UNIT: mm		TITLE		ITEM NO.		DRAWN BY		DATE	
		Waterproof Cap For M Conn. A Size Screw Type		CAP-WAAMSMAI		Vicky		2013-09-06	
		SCALE	SIZE	SHEET	OF	DWG NO.	CHECKED BY	DATE	
TOLERANCE		2:1	A4	1	1	CAP-WAAMSMAI	Sam	2013-09-06	
.X ±0.25		REV.	WC-REV.	QC: Inspection item		CUSTOMER	APPROVED BY	DATE	
.XX ±0.1		A	A.1			ALTW	Rita	2013-09-06	
.XXX ±0.05									
ANGLES ±1°									

Amphenol LTW
安費諾亮泰企業股份有限公司