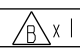
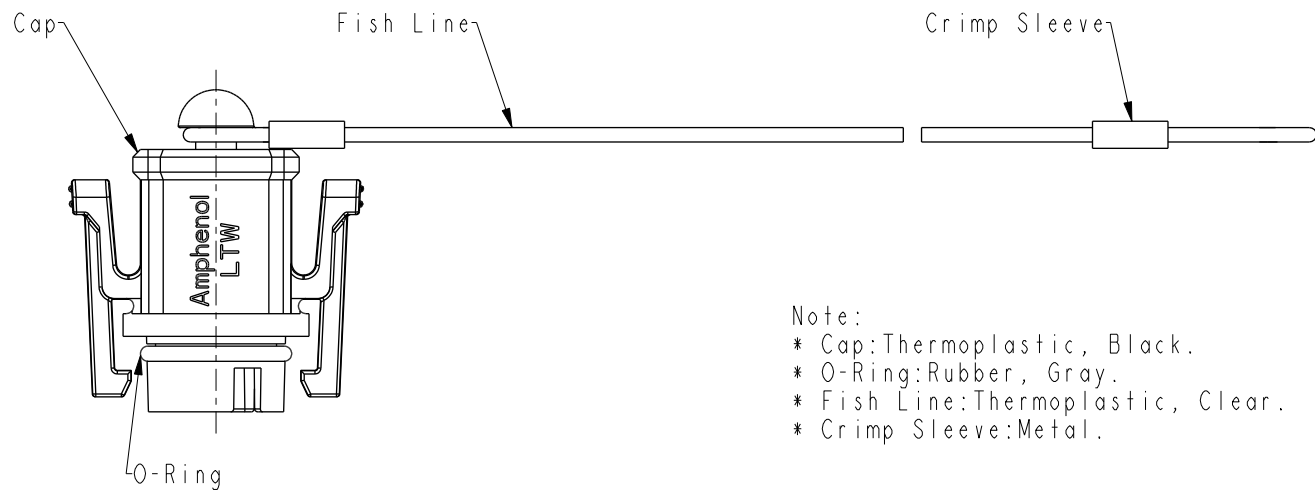
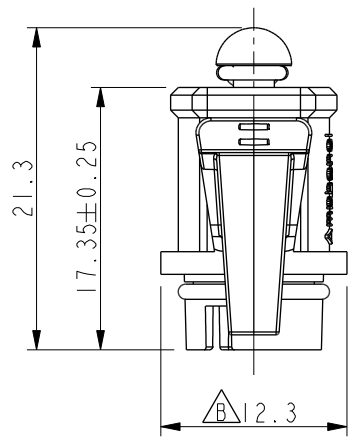
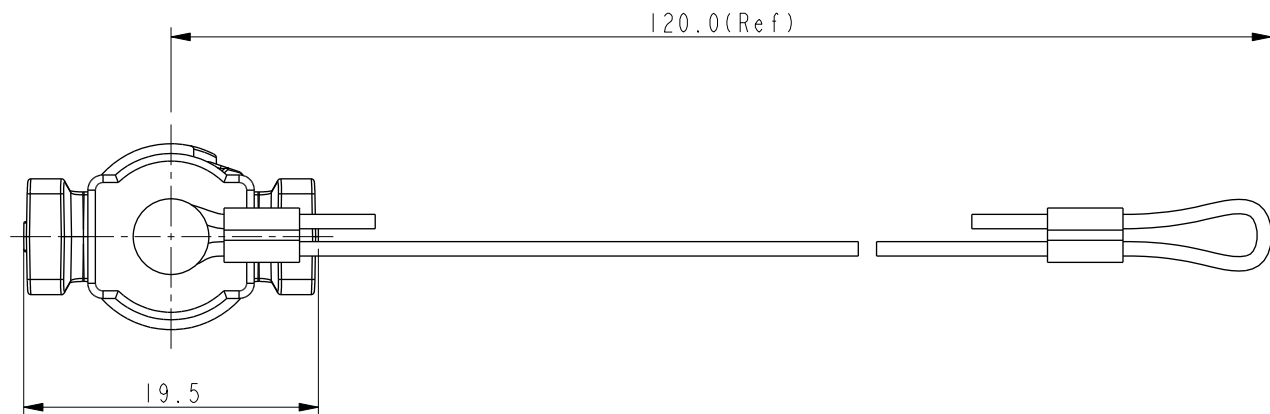




THIS DOCUMENT IS SUBJECT TO CHANGE WITHOUT NOTICE. IT IS CONFIDENTIAL AND A PROPERTY OF Amphenol LTW. DISCLOSURE TO THIRD PARTY HAS TO BE AUTHORIZED BY Amphenol LTW.

| REV. | ECN NO. | DATE | SIGN | DESCRIPTION |
|------|---------|------------|-----------|---|
| A | | 2019-12-03 | Allen Pan | Rev.02 To Rev.A |
| B | C200266 | 2020-04-22 | Allen Pan |  |



Note:
 * Cap:Thermoplastic, Black.
 * O-Ring:Rubber, Gray.
 * Fish Line:Thermoplastic, Clear.
 * Crimp Sleeve: Metal.

| | | |
|-----------|---|---|
| UNIT: mm |  |  |
| TOLERANCE | | |
| .X | ±0.25 | |
| .XX | ±0.1 | |
| .XXX | ±0.05 | |
| ANGLES | ±1° | |

| | | | |
|--|----------------|---------------------|--|
| TITLE X-Lok A-Size Waterproof Cap For Male Conn. | | | |
| SCALE 2:1 | SIZE A4 | SHEET 1 OF 1 | |
| REV. B | WC-REV. A.4 | QC: Inspection item | |

Amphenol LTW
 安費諾亮泰企業股份有限公司

| | | |
|--------------------------|-------------------------|--------------------|
| ITEM NO. CAP-WAAMQMDI | DRAWN BY Allen Pan | DATE 2019-12-03 |
| DWG NO. CAP-WAAMQMDI | CHECKED BY Sam Ho | DATE 2019-12-03 |
| CUSTOMER ALTW | APPROVED BY Fred Lee | DATE 2019-12-03 |