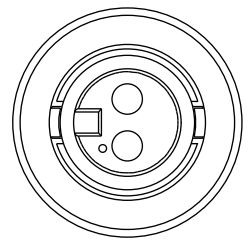
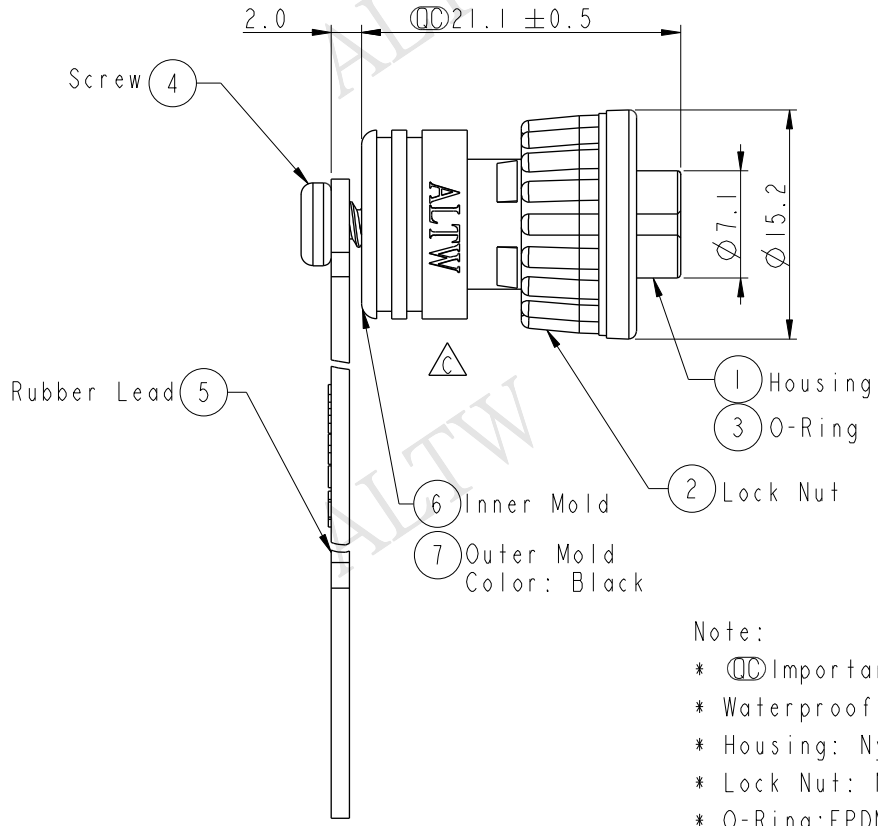
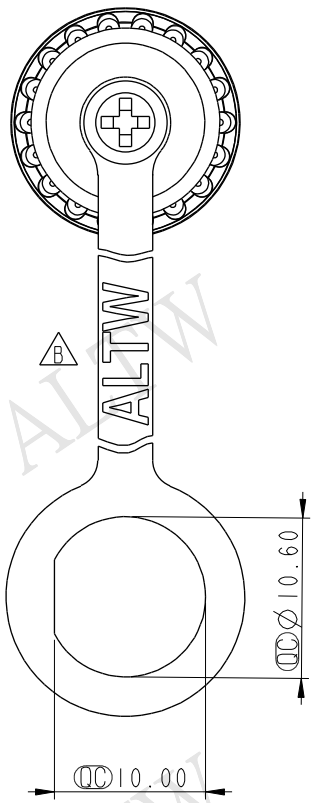


THIS DOCUMENT IS SUBJECT TO CHANGE WITHOUT NOTICE. IT IS CONFIDENTIAL AND A PROPERTY OF Amphenol LTW. DISCLOSURE TO THIRD PARTY HAS TO BE AUTHORIZED BY Amphenol LTW.

REV.	ECN NO.	DATE	SIGN	DESCRIPTION
A	Initial Release	2013/09/06	Vicky	Old Item No. CAP-WAAMMLCI
B	LEN14B0186	2014/11/10	Ruru	Change Logo LTW To ALTW
C	LEN1530063	2015/02/12	Ruru	Change Logo

ALTW
 CONFIDENTIAL
 2015-02-12
 R&D DEPT.



ALTW
 DCC. DEPT.
 CONFIDENTIAL
 2015.03.11
 ISSUED

- Note:
- * \varnothing Important Dimension.
 - * Waterproof Rate: IP67
 - * Housing: Nylon+GF, Black
 - * Lock Nut: Nylon+GF, Black
 - * O-Ring: EPDM, Black
 - * Rubber Lead: TPES, Black
 - * Screw is not allowed to tight (Chain be revolve)
不可將螺絲鎖緊, (鏈條要可旋轉)
 - * Drill Hold $\varnothing 2.3\text{mm}$, Depth 4mm.
鑽孔 $\varnothing 2.3\text{mm}$, 深 4mm

UNIT: mm		
TOLERANCE	.X	± 0.25
	.XX	± 0.1
	.XXX	± 0.05
ANGLES		$\pm 1^\circ$

TITLE Mini Size Waterproof Cap for M Conn M Pin			
SCALE 2:1	SIZE A4	SHEET 1 OF 1	
REV. C	WC-REV. A.2	\varnothing : Inspection item	

Amphenol LTW
 安費諾亮泰企業股份有限公司

ITEM NO. CAP-WAAMLPCI	DRAWN BY Ruru	DATE 2015-02-12
DWG NO. CAP-WAAMLPCI	CHECKED BY Rita	DATE 2015-02-12
CUSTOMER ALTW	APPROVED BY Lion	DATE 2015-02-12