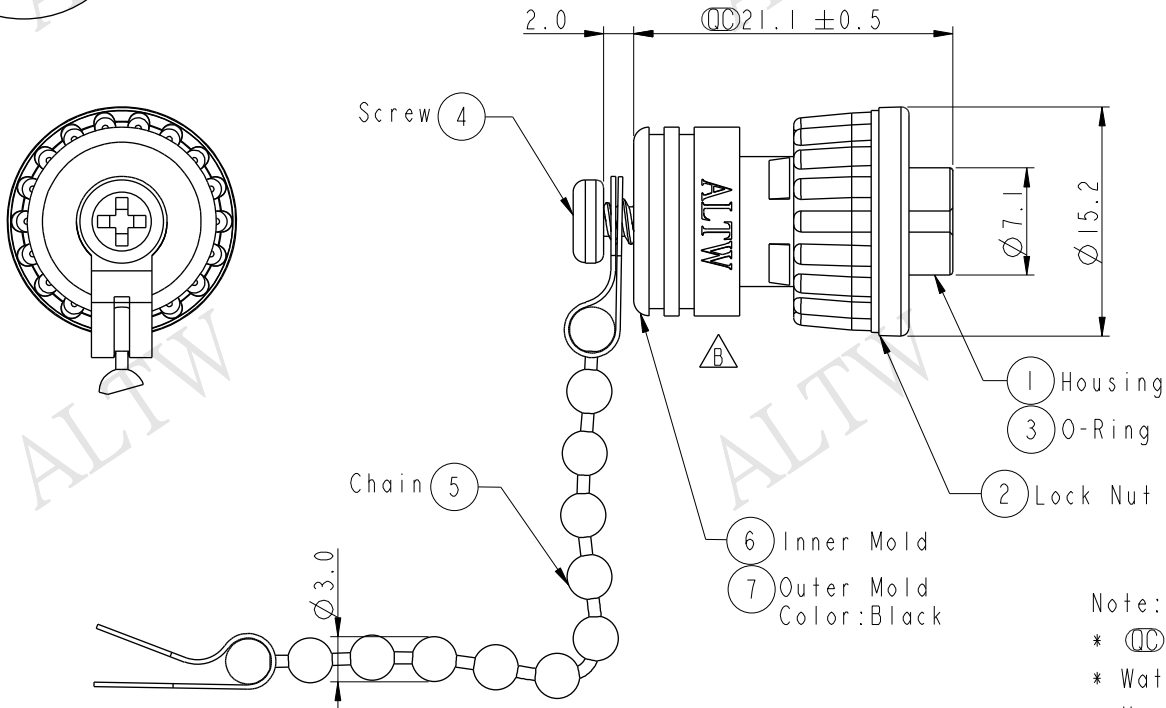


REV.	ECN NO.	DATE	SIGN	DESCRIPTION
A	Initial Release	2013/09/06	Vicky	Old Item No. CAP-WAAMMLB3
B	LEN1530062	2015/02/12	Ruru	Change Logo

ALTW
CONFIDENTIAL
2015-02-12
R&D DEPT.

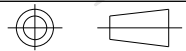
ALTW
DCC. DEPT.
CONFIDENTIAL
2015.03.11
ISSUED



Note:

- * \varnothing Important Dimension.
- * Waterproof Rate: IP67
- * Housing: Nylon+GF, Black
- * Lock Nut: Nylon+GF, Black
- * O-Ring: EPDM, Black
- * Screw is not allowed to tight (Chain be revolve)
不可將螺絲鎖緊, (鏈條要可旋轉)
- * Drill Hold $\varnothing 2.3\text{mm}$, Depth 4mm.
鑽孔 $\varnothing 2.3\text{mm}$, 深 4mm

UNIT: mm



TOLERANCE
.X ± 0.25
.XX ± 0.1
.XXX ± 0.05
ANGLES $\pm 1^\circ$

TITLE			
Mini Size Waterproof Cap for M Conn M Pin			
SCALE	SIZE	SHEET	OF
2:1	A4	1	1
REV.	WC-REV.	\varnothing : Inspection item	
B	A.2		

Amphenol LTW
安費諾亮泰企業股份有限公司

ITEM NO	DRAWN BY	DATE
CAP-WAAMLBP3	Ruru	2015-02-12
DWG NO	CHECKED BY	DATE
CAP-WAAMLBP3	Rita	2015-02-12
CUSTOMER	APPROVED BY	DATE
ALTW	Lion	2015-02-12