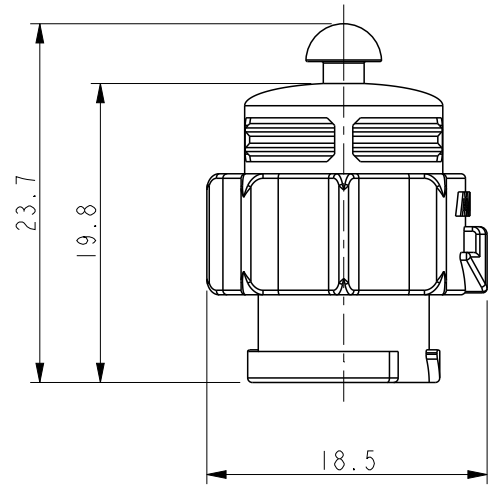
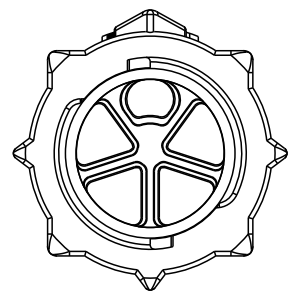
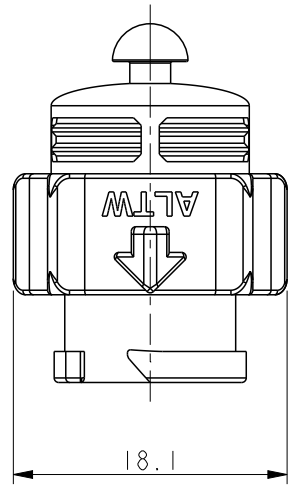
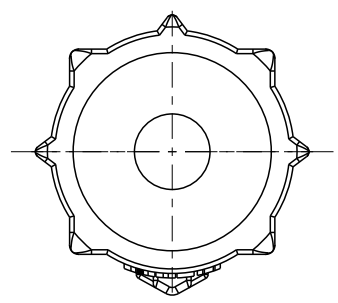


THIS DOCUMENT IS SUBJECT TO CHANGE WITHOUT NOTICE. IT IS CONFIDENTIAL AND A PROPERTY OF AMPHENOL LTW. DISCLOSURE TO THIRD PARTY HAS TO BE AUTHORIZED BY AMPHENOL LTW.

REV.	ECN NO.	DATE	SIGN	DESCRIPTION
A		2022-07-06	Roy Lin	Rev.01 to Rev.A



Note:  
 \* Cap: Thermoplastic, Black.  
 \* For X-LOK A Size for AG Style

UNIT: mm		TITLE		<h1>Amphenol LTW</h1> <p>安費諾亮泰企業股份有限公司</p>	ITEM NO	DRAWN BY	DATE	
		ACC, XLOK, WP CAP PUSH LOCK, NONE			CAP-WAAFQCA2	Roy Lin	2022/07/06	
		SCALE	SIZE		SHEET	OF	DWG NO	CHECKED BY
TOLERANCE .X ±0.25 .XX ±0.1 .XXX ±0.05 ANGLES ±1°		2:1	A4	1	1	CAP-WAAFQCA2	Victor Hung	2022/07/06
		REV.	WC-REV.	Inspection item	CUSTOMER	APPROVED BY	DATE	
		A	.0		ALTW	Max Yang	2022/07/06	