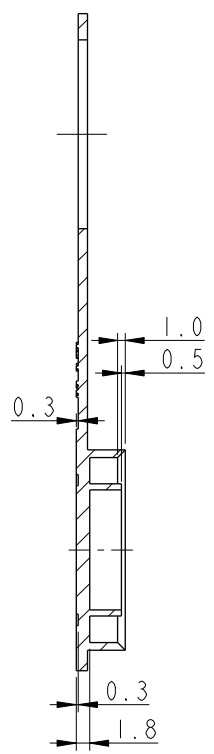
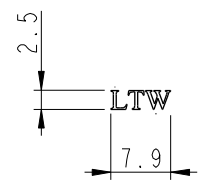
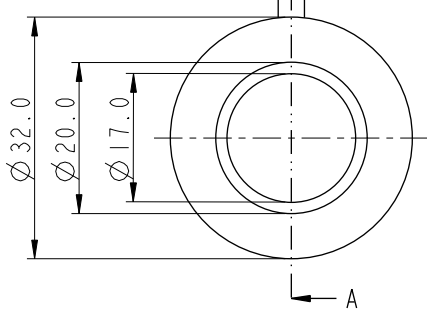
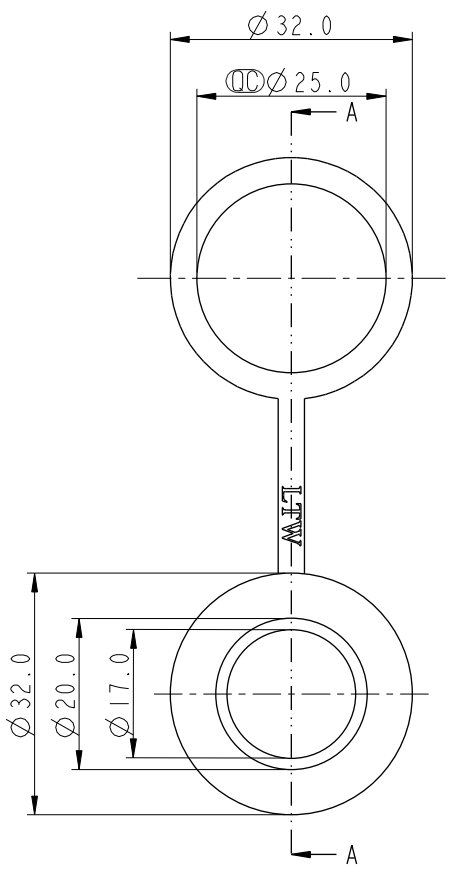
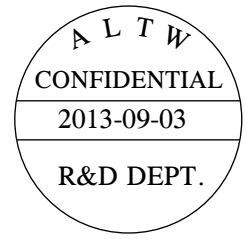
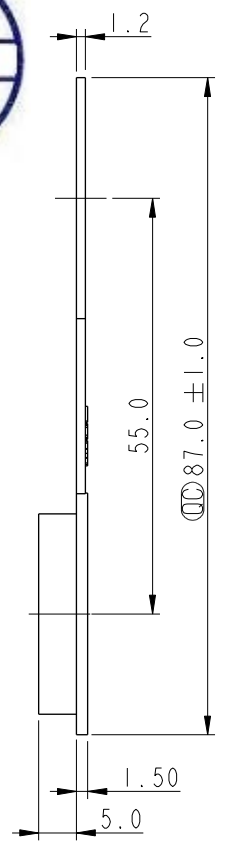
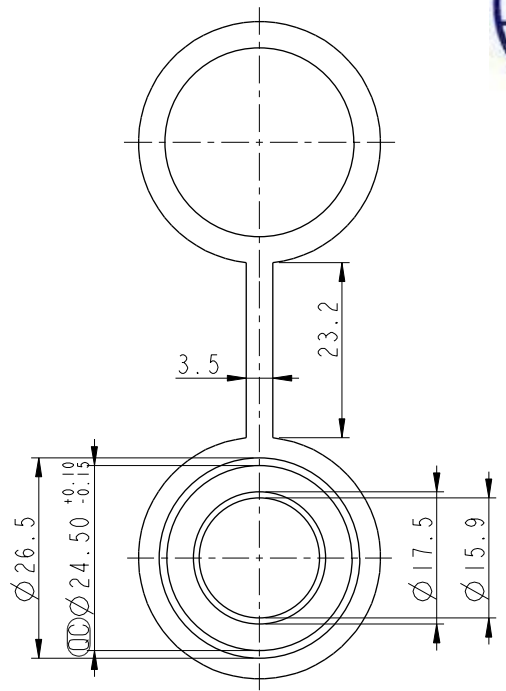


REV.	ECN NO.	DATE	SIGN	DESCRIPTION
A	Initial Release	2013/09/03	Vicky	Old Item No. CAP-DCDPMSC1

THIS DOCUMENT IS SUBJECT TO CHANGE WITHOUT NOTICE. IT IS CONFIDENTIAL AND A PROPERTY OF AMPHENOL LTW. DISCLOSURE TO THIRD PARTY HAS TO BE AUTHORIZED BY AMPHENOL LTW.



Section A-A



Note:  
 \*  $\varnothing$  Important Dimension To Check.  
 \* Material: HYTREL  
 \* Color: Black  
 \* Text Depth: 0.3mm

UNIT: mm		
TOLERANCE	.X	±0.25
	.XX	±0.1
	.XXX	±0.05
ANGLES		±1°

TITLE Dust Cap (Male Conn 18Pin For Panel)			
SCALE	SIZE	SHEET	OF
1:1	A4	1	1
REV.	WC-REV.	QC: Inspection item	
A	A.1		

**Amphenol LTW**  
 安費諾亮泰企業股份有限公司

ITEM NO.	DRAWN BY	DATE
CAP-DADMDPC2	Vicky	2013-09-03
DWG NO.	CHECKED BY	DATE
CAP-DADMDPC2	Sam	2013-09-03
CUSTOMER	APPROVED BY	DATE
ALTW	Rita	2013-09-03