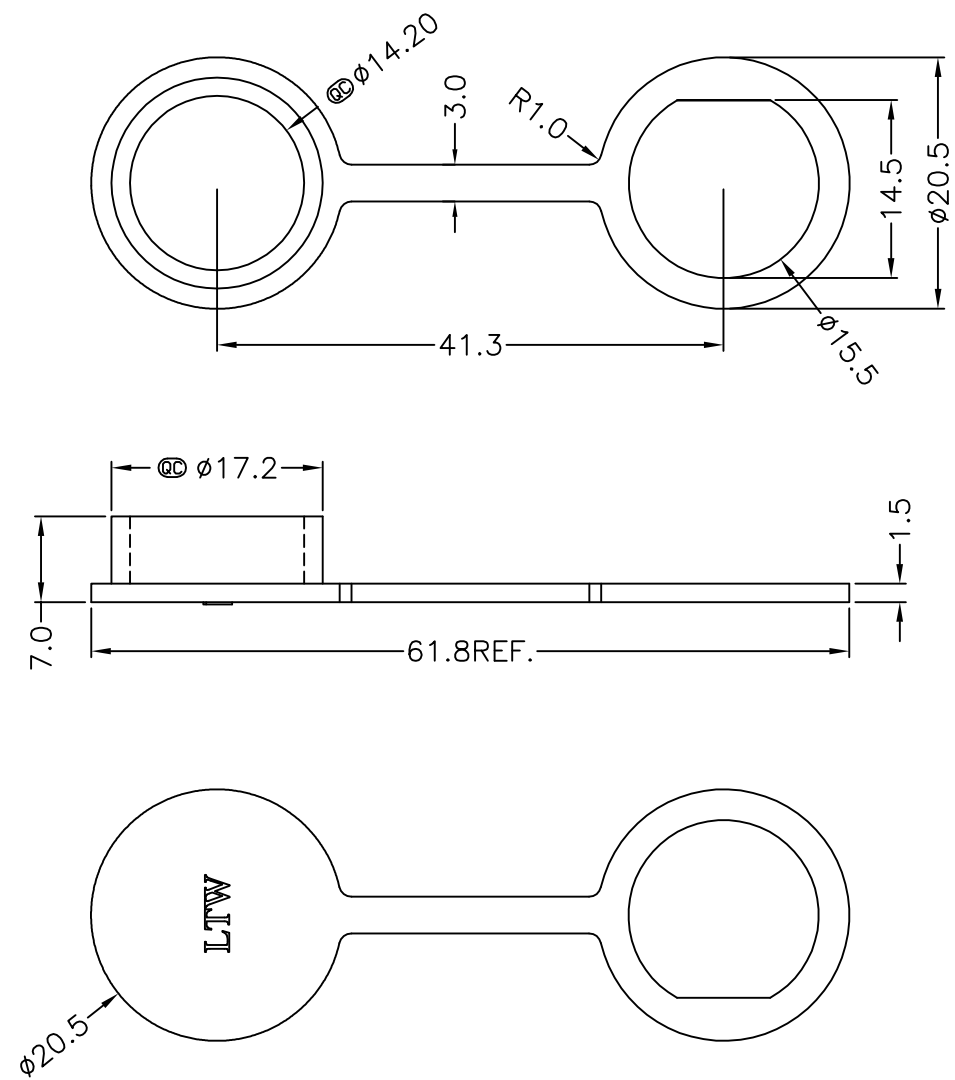


5	6	7	8
REV. A	ECN NO. Initial Release	DATE 2013/08/27	SIGN Vicky
			DESCRIPTION Old Item No. CAP-DABPMXC3

THIS DOCUMENT IS SUBJECT TO CHANGE WITHOUT NOTICE. IT IS CONFIDENTIAL AND A PROPERTY OF Amphenol LTW. DISCLOSURE TO THIRD PARTY HAS TO BE AUTHORIZED BY Amphenol LTW.



Note:
 * @C Important Dimension
 * Material: UL Silicone 70, Dark Gray
 * Mold No.: DX09024A

UNIT:mm		TITLE	Dust Cap		Amphenol LTW	ITEM NO	CAP-DABMDPC3	DRAWN BY	Vicky	DATE	2013/08/27
TOLERANCE	±0.5 mm	SCALE	Free	SHEET	1 OF 1	DWG NO	CAP-DABMDPC3	CHECKED BY	Sam	DATE	2013/08/27
REV.	A	SIZE	A4	:Inspection Item		CUSTOMER	ALTW	APPROVED BY	Rita	DATE	2013/08/27
1	2	3	4	5	6	7	8	FMWIO702-01-01A2			

Amphenol LTW
 安費諾亮泰企業股份有限公司