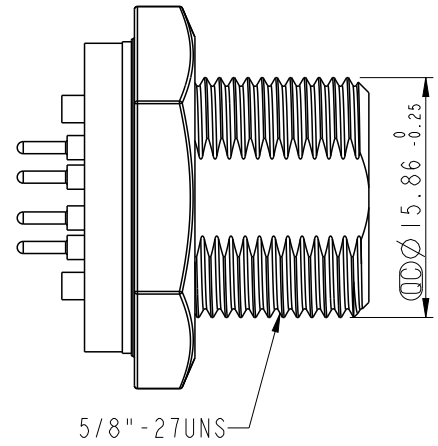
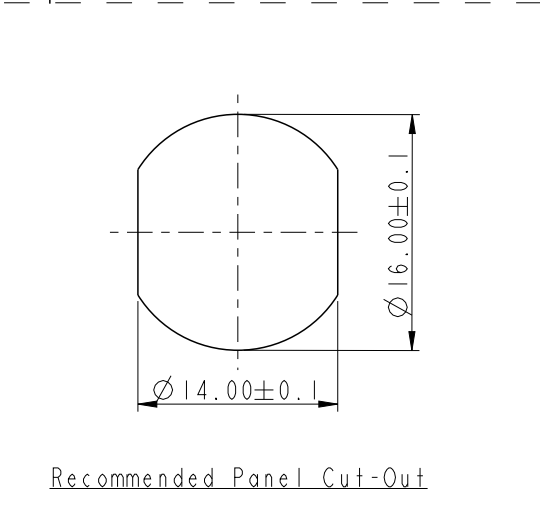
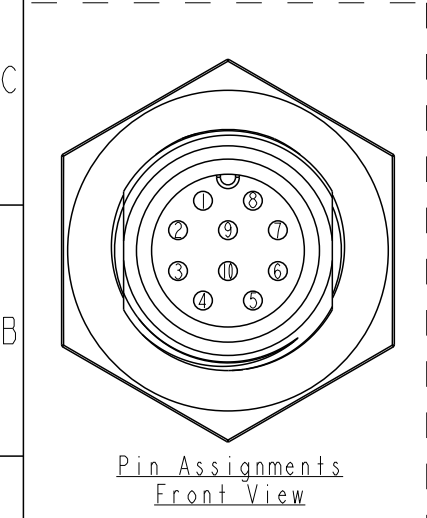
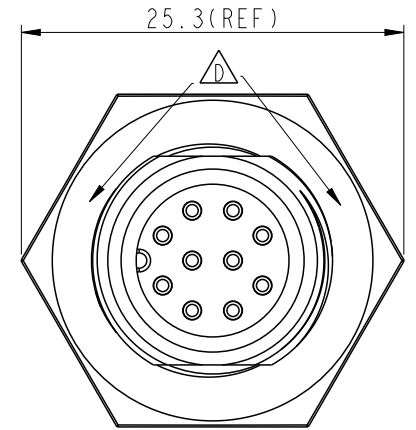
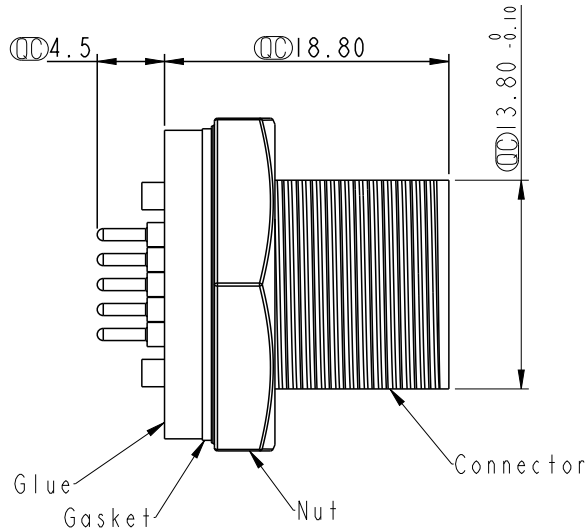
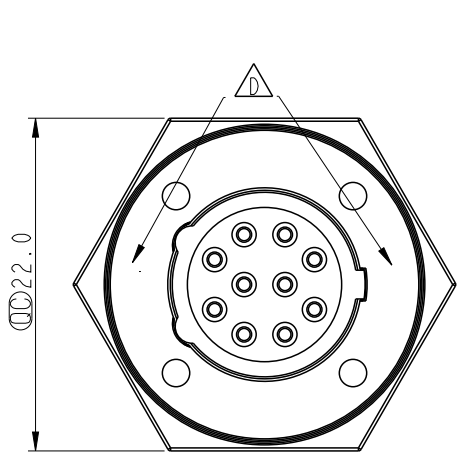
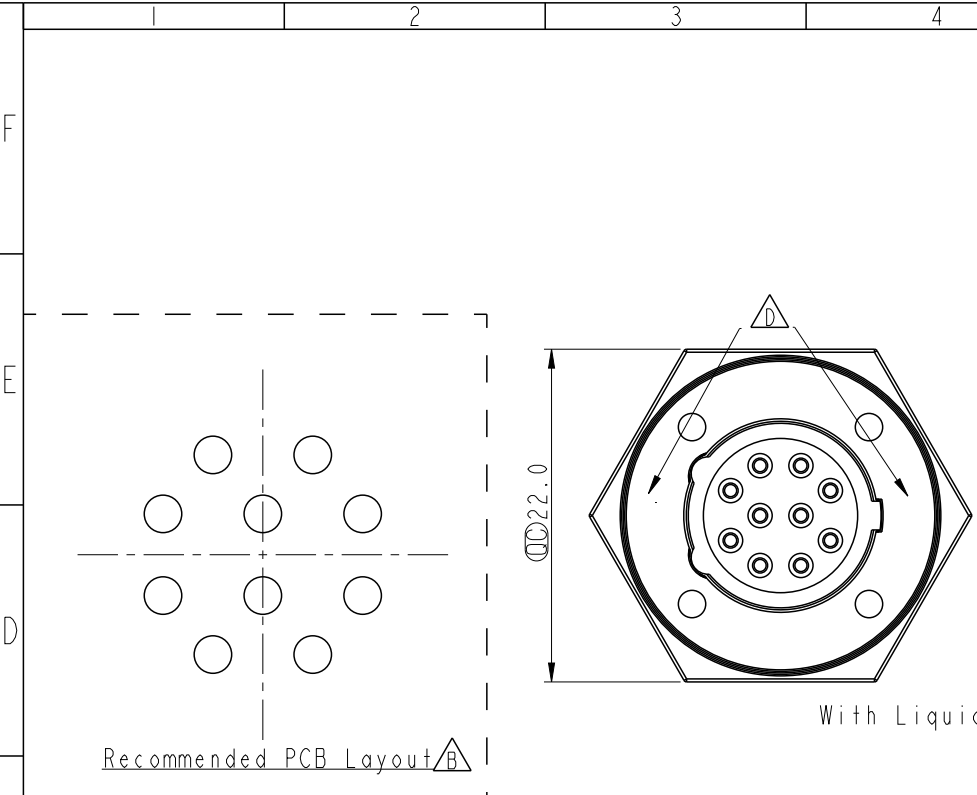


| REV. | ECN NO. | DATE | SIGN | DESCRIPTION |
|------|------------|------------|--------|------------------|
| B | LEN1540037 | 2015/04/02 | Lodess | Add PCB Layout |
| C | C190269 | 2019/03/06 | Ruru | Modify Note |
| D | C210680 | 2021/05/10 | Leon | $\triangle D$ *2 |



Note: $\triangle C$

- * \varnothing Important Dimension.
- * Waterproof Rate: IP67, Unmated
- * Housing: Thermoplastic, Black
- * Pin: Copper Alloy, Gold Plated
- * Nut: Metal, Nickel Plated
- * Gasket: Rubber, Black
- * For Panel Thickness Max Of 5.0mm
- * Gasket and Nut are packed separately in PE bags.

| | | | |
|---|----------------|---|-----------------|
| UNIT:mm | | TITLE Standard Panel Screw 10Pin M Conn M Pin | |
| TOLERANCE .X ±0.25 .XX ±0.1 .XXX ±0.05 ANGLES ±1° | SCALE 2:1 | SIZE A4 | SHEET 1 OF 1 |
| REV. D | WC-REV. A.4 | \varnothing : Inspection item | |

Amphenol LTW
安費諾亮泰企業股份有限公司

| | | |
|------------------------------|--------------------|--------------------|
| ITEM NO BSU-10PMMP-SC7001 | DRAWN BY Ruru | DATE 2019-03-06 |
| DWG NO BSU-10PMMP-SC7001 | CHECKED BY Rita | DATE 2019-03-06 |
| CUSTOMER ALTW | APPROVED BY Max | DATE 2019-03-06 |

THIS DOCUMENT IS SUBJECT TO CHANGE WITHOUT NOTICE. IT IS CONFIDENTIAL AND A PROPERTY OF AMPHENOL LTW. DISCLOSURE TO THIRD PARTY HAS TO BE AUTHORIZED BY AMPHENOL LTW.