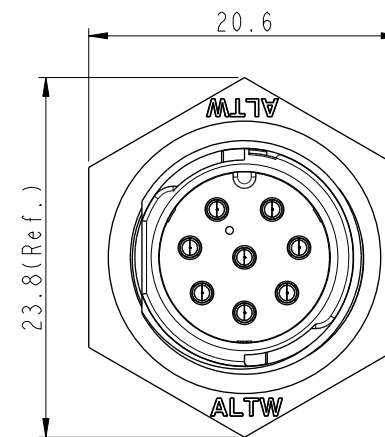
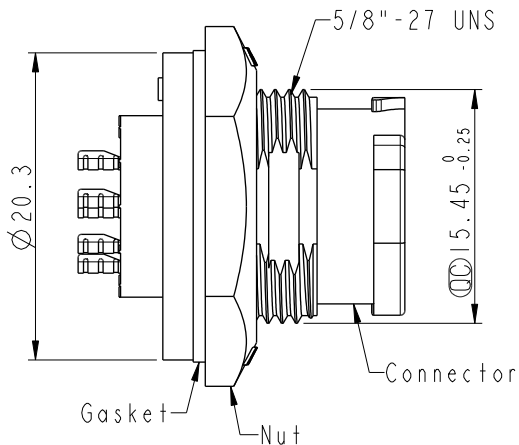
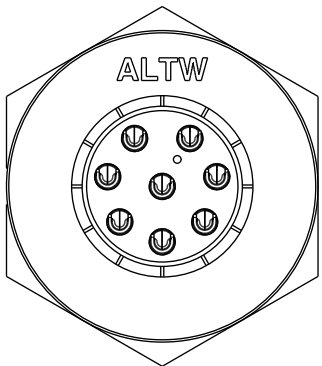
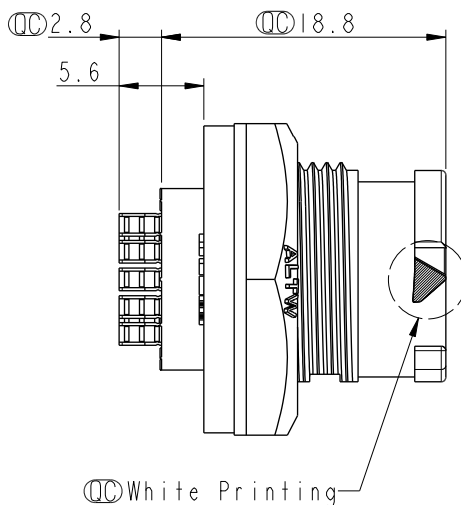


REV.	ECN NO.	DATE	SIGN	DESCRIPTION
B	C190411	2019/03/19	Vicky	Change Note
C	C220466	2022/04/14	Ruru	$\triangle C$ X7



$\triangle C$
BD-XXPMS-QC8001

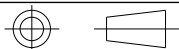
XX: No. Of Pin



Note: $\triangle B$ $\triangle C$

- * RoHS Compliant
- * $\text{\textcircled{C}}$ Important dimension
- * Waterproof rate: IPX8, unmated 1m/24h
- * Connector
- Housing: Thermoplastic, Black
- Pin: Copper alloy, Gold plated
- * Nut: Thermoplastic, Black
- * Gasket: Rubber, Gray
- * Use with waterproof cap or dust cap
- Panel thickness max: 3.0mm
- * Use without waterproof cap or dust cap
- Panel thickness max: 4.0mm
- * Gasket and nut are packed separately in pe bag

UNIT:mm



TOLERANCE

.X ± 0.25 mm

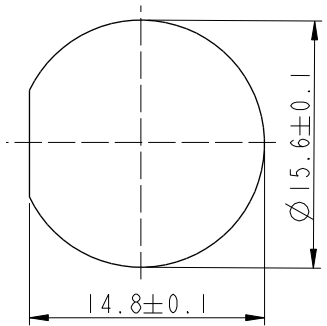
TITLE XLOK, B-5A, FRONT FASTENED M, M, SOLDER, PUSH LOCK $\triangle C$			
SCALE 2:1	SIZE A4	SHEET 1 OF 2	
REV. C	WC-REV. A.3	$\text{\textcircled{C}}$: Inspection item	

Amphenol LTW
安費諾亮泰企業股份有限公司

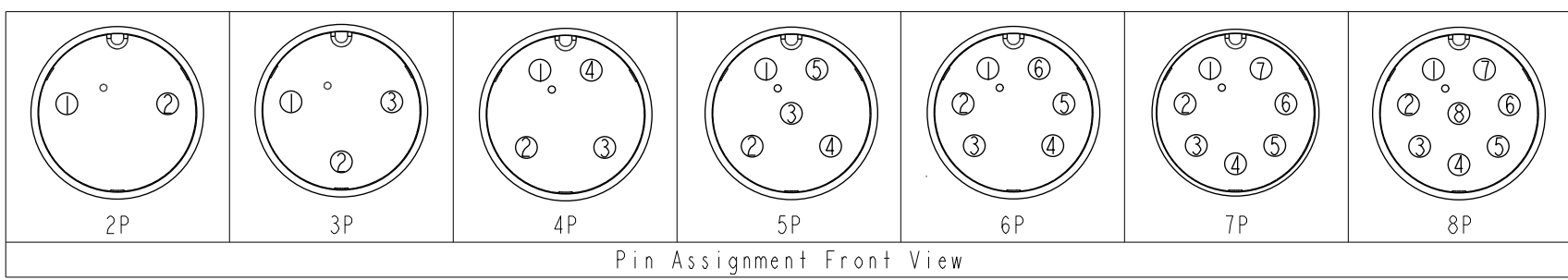
ITEM NO.	DRAWN BY Vicky	DATE 2019-03-19
DWG NO. BD-XXPMS-QC8001 $\triangle C$	CHECKED BY Rita	DATE 2019-03-19
CUSTOMER ALTW	APPROVED BY Max	DATE 2019-03-19

THIS DOCUMENT IS SUBJECT TO CHANGE WITHOUT NOTICE. IT IS CONFIDENTIAL AND A PROPERTY OF AMPHENOL LTW. DISCLOSURE TO THIRD PARTY HAS TO BE AUTHORIZED BY AMPHENOL LTW.

THIS DOCUMENT IS SUBJECT TO CHANGE WITHOUT NOTICE. IT IS CONFIDENTIAL AND A PROPERTY OF Amphenol LTW. DISCLOSURE TO THIRD PARTY HAS TO BE AUTHORIZED BY Amphenol LTW.



Recommended
Panel Cut-out



Pin Assignment Front View

UNIT: mm		
TOLERANCE	.X ± 0.25 mm	

TITLE XLOK, B-5A, FRONT FASTENED M, M, SOLDER, PUSH LOCK		
SCALE 2:1	SIZE A4	SHEET 2 OF 2
REV. C	WC-REV. A.3	: Inspection item

Amphenol LTW
安費諾亮泰企業股份有限公司

ITEM NO	DWG NO BD-XXPMMS-QC8001
CUSTOMER ALTW	

DRAWN BY Vicky	CHECKED BY Rita
APPROVED BY Max	

DATE 2019-03-19	DATE 2019-03-19
DATE 2019-03-19	