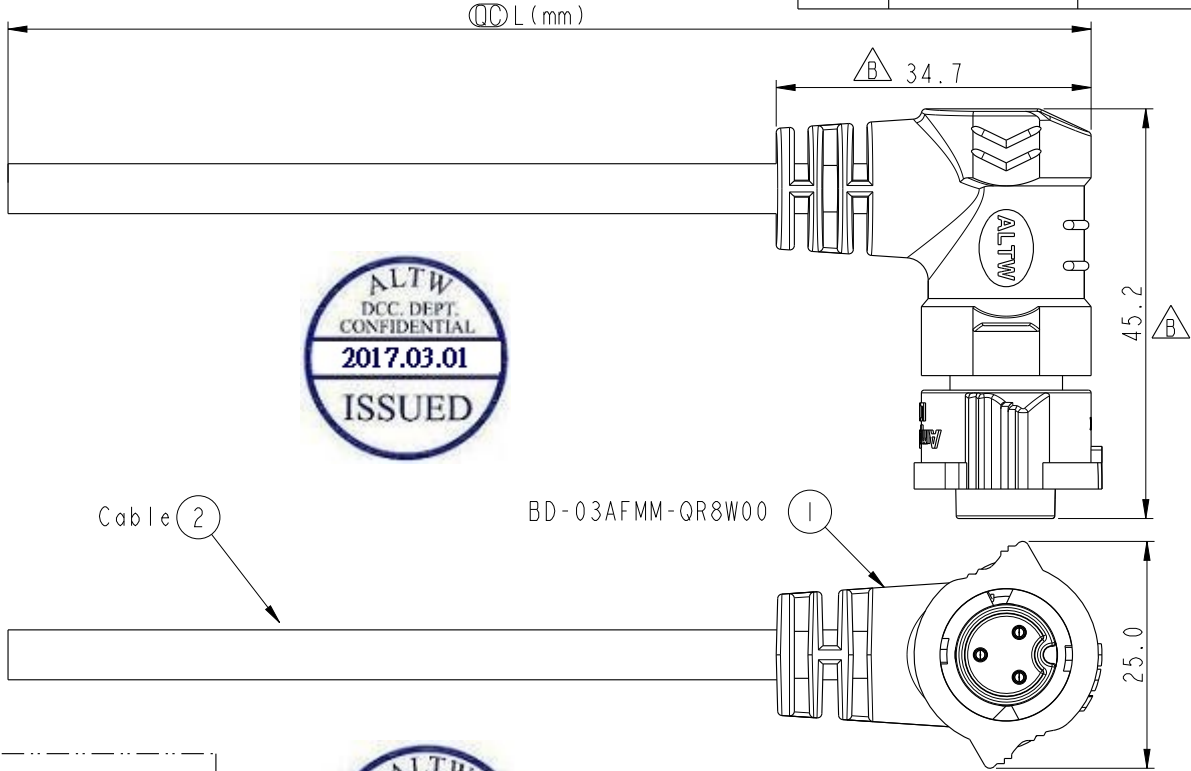


THIS DOCUMENT IS SUBJECT TO CHANGE WITHOUT NOTICE. IT IS CONFIDENTIAL AND A PROPERTY OF AMPHENOL LTW. DISCLOSURE TO THIRD PARTY HAS TO BE AUTHORIZED BY AMPHENOL LTW.

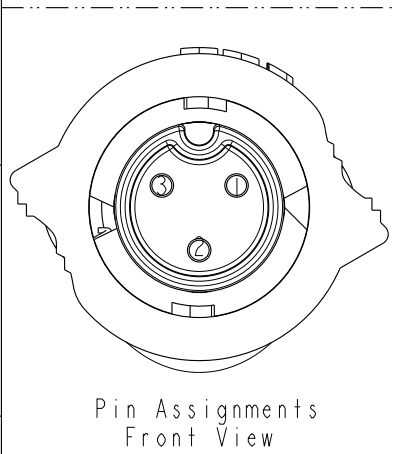
| REV. | ECN NO. | DATE | SIGN | DESCRIPTION |
|------|------------|------------|------------|------------------------------------|
| B | LEN1720222 | 2017-02-13 | Frank Deng | Change dimension from 34.0 to 34.7 |



BD-03AFMM-QR8DXX

XX : 01~99Meters
 01 : 01Meter
 02 : 02Meters
 ...
 99 : 99Meters

Cable Length(L): 01~99Meters



| | | |
|---------|------------|---|
| 3 | Red | 紅 |
| 2 | Brown | 棕 |
| 1 | Black | 黑 |
| Conn. | Wire Color | |
| Pin Out | | |

- Note:
- * L Important Dimension To Check.
 - * Waterproof Rate: IP67(Mated)
 - * Working Voltage Rating: AC 300 V
 - * Working Current Rating: 5A
 - * Flame Class: UL94V-0 (UV Resistance)
 - * Housing: Nylon+GF, Black.
 - * Male Pin: Copper Alloy, Gold Plated.
 - * Rubber: Silicone, Gray
 - * Cable: UL21388 20AWG*3C+AL+My
PVC Jacket UV Resistant, OD=5.5, Black.
 - * Cable Length Tolerance: 01M±:40mm
 02M~05M:±60mm
 06M~10M:±100mm
 11M~30M:±200mm
 31M~99M:±500mm



| | | |
|-----------|---------|--|
| UNIT:mm | | |
| TOLERANCE | .X ±0.5 | |

| | | | |
|-------------------------------------------------|----------------|------------------------------|--|
| TITLE X-Lok B-Size Molding F Conn M 3 Pin | | | |
| SCALE 6:5 | SIZE A4 | SHEET 1 OF 1 | |
| REV. B | WC-REV. A.2 | L : Inspection item | |

Amphenol LTW
 安費諾亮泰企業股份有限公司

| | | |
|----------------------------|--------------------------|--------------------|
| ITEM NO | DRAWN BY Frank Deng | DATE 2017-02-13 |
| DWG NO BD-03AFMM-QR8DXX | CHECKED BY Spring Liu | DATE 2017-02-13 |
| CUSTOMER ALTW | APPROVED BY Kevin Hu | DATE 2017-02-13 |