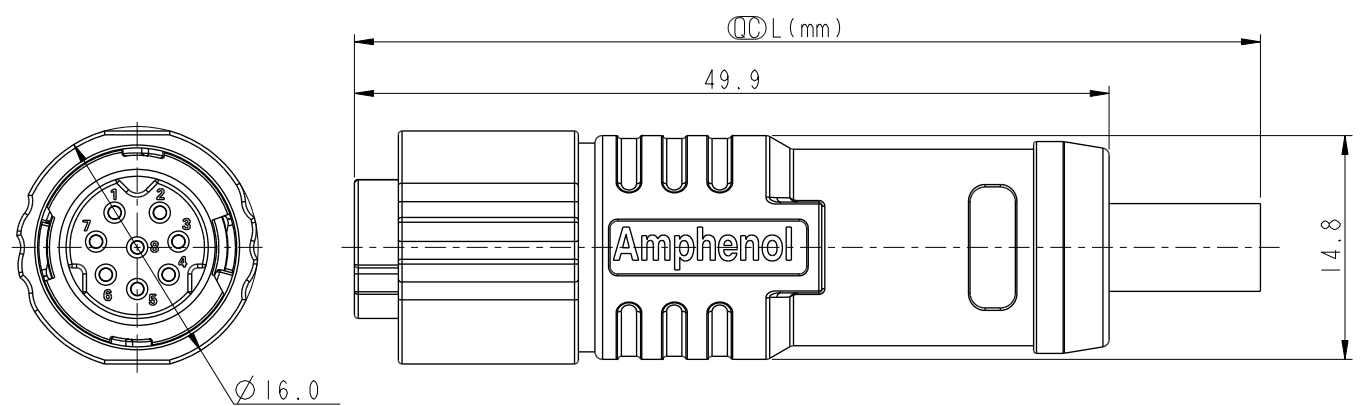


THIS DOCUMENT IS SUBJECT TO CHANGE WITHOUT NOTICE. IT IS CONFIDENTIAL AND A PROPERTY OF Amphenol LTW. DISCLOSURE TO THIRD PARTY HAS TO BE AUTHORIZED BY Amphenol LTW.

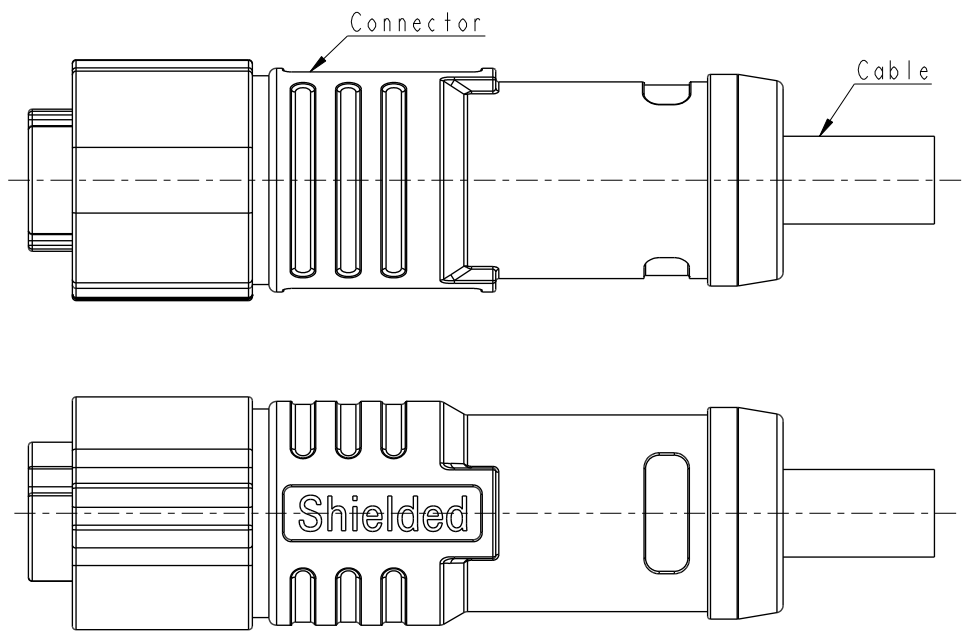
8P	TPU	5.8	24	ASU-08BFFM-QL8BXX
Contacts	Cable Jacket	Cable OD	AWG	Item No.

REV.	ECN NO.	DATE	SIGN	DESCRIPTION
A		2022-02-23	Jiahe Lin	Rev.01 to A, Initial Released



ASU-XXBFFM-QL8BXX
 XX: L=0-99Meters
 01: L=1Meters
 02: L=2Meters
 :
 99: L=99Meters
 XX: No. Of Pin

Shield Braid	編織
8 Red	紅
7 Blue	藍
6 Pink	粉紅
5 Gray	灰
4 Yellow	黃
3 Green	綠
2 Brown	棕
1 White	白
Pin #	Wire
8P	
Pin Assignments Front View	



Note:
 * RoHS Compliant
 * \varnothing Important dimension
 * Waterproof rate: IPX8, mated 1m/24h
 * Connector
 Housing: Thermoplastic, Black
 Pin: Copper alloy, Gold plated
 Shield: Metal
 Nut: Metal
 Outer mold: Thermoplastic, Black
 * Cable: UL20549, TPU Jacket, Black
 * Cable length tolerance:
 1M: +50/-0 mm
 1M < L ≤ 3M: +100/-0 mm
 3M < L ≤ 5M: +150/-0 mm
 5M < L ≤ 10M: ±100 mm
 10M < L ≤ 20M: ±200 mm
 20M < L ≤ 30M: ±300 mm
 30M < L ≤ 99M: ±500 mm

UNIT:mm TOLERANCE ±0.5mm	TITLE XLOK, A SHLD-2A, 08P, CABLE W/O SR			Amphenol LTW 安費諾亮泰企業股份有限公司	ITEM NO	DRAWN BY Jiahe Lin	DATE 2022-02-23
	SCALE 2:1	SIZE A4	SHEET 1 OF 1		DWG NO ASU-XXBFFM-QL8BXX	CHECKED BY Allen Pan	DATE 2022-02-23
	REV. A	WC-REV.	\varnothing : Inspection item		CUSTOMER ALTW	APPROVED BY Fred Lee	DATE 2022-02-23