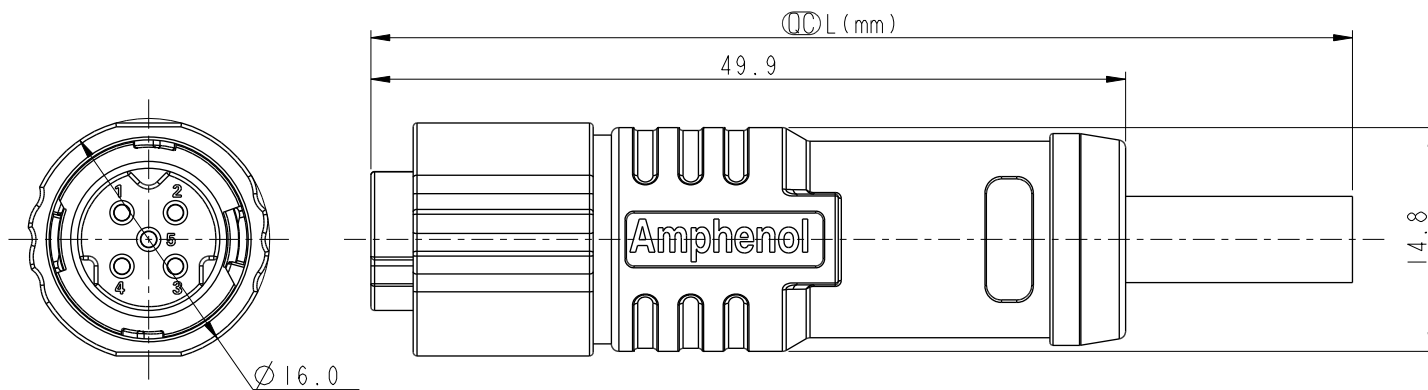


THIS DOCUMENT IS SUBJECT TO CHANGE WITHOUT NOTICE. IT IS CONFIDENTIAL AND A PROPERTY OF Amphenol LTW. DISCLOSURE TO THIRD PARTY HAS TO BE AUTHORIZED BY Amphenol LTW.

5P	\triangle B 5.7	\triangle B 22	ASD-05BFFM-QL8BXX
Contacts	Cable OD	AWG	Item No.

REV.	ECN NO.	DATE	SIGN	DESCRIPTION
A		2022-01-03	Sam Ho	Rev.01 to A, Initial Released
B	C221610	2022-11-21	Allen Pan	\triangle B x3

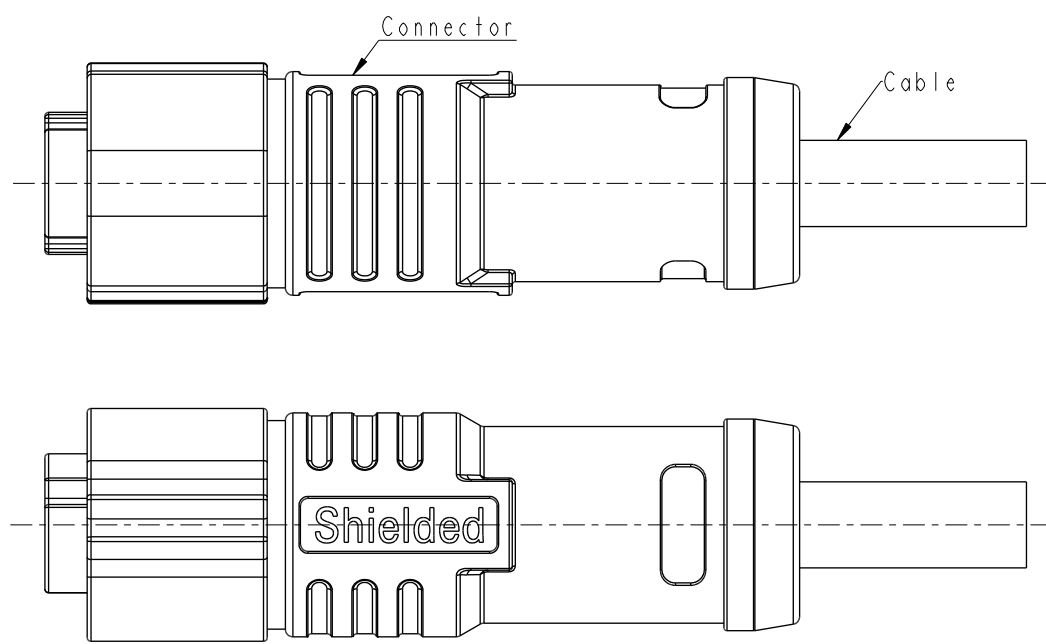


ASD-XXBFFM-QL8BXX

XX: L=0~99Meters
 01: L=1Meters
 02: L=2Meters
 ...
 99: L=99Meters

XX: No. Of Pin

\triangle B	Shield Braid	編織
5	Gray	灰
4	Black	黑
3	Blue	藍
2	White	白
1	Brown	棕
Pin #	Wire	
5P		
Pin Assignments Front View		



Note:

- * RoHS Compliant
- * \varnothing Important dimension
- * Waterproof rate: IPX8, mated 1m/24h
- * Connector Housing: Thermoplastic, Black
- Pin: Copper alloy, Gold plated
- Shield: Metal
- Nut: Metal
- Outer mold: Thermoplastic, Black
- * Cable: UL20549, PU Jacket, Black
- * Cable length tolerance:
 - 1M: +50/-0 mm
 - 1M < L ≤ 3M: +100/-0 mm
 - 3M < L ≤ 5M: +150/-0 mm
 - 5M < L ≤ 10M: ±100 mm
 - 10M < L ≤ 20M: ±200 mm
 - 20M < L ≤ 30M: ±300 mm
 - 30M < L ≤ 99M: ±500 mm

UNIT:mm		
TOLERANCE		
±0.50mm		

TITLE XLOK, A SHLD-5A, 05P, CABLE W/O SR			
SCALE 2:1	SIZE A4	SHEET 1 OF 1	
REV. B	WC-REV.	\varnothing : Inspection item	

Amphenol LTW
 安費諾亮泰企業股份有限公司

ITEM NO.	DRAWN BY Sam Ho	DATE 2021-11-12
DWG NO. ASD-XXBFFM-QL8BXX	CHECKED BY Fred Lee	DATE 2021-11-12
CUSTOMER ALTW	APPROVED BY Fred Lee	DATE 2021-11-12