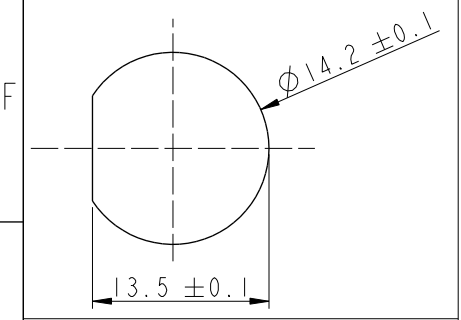
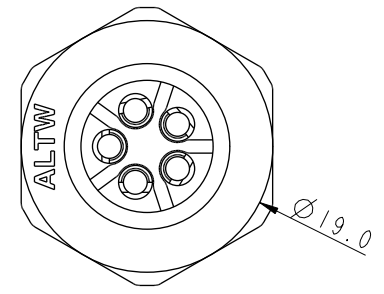
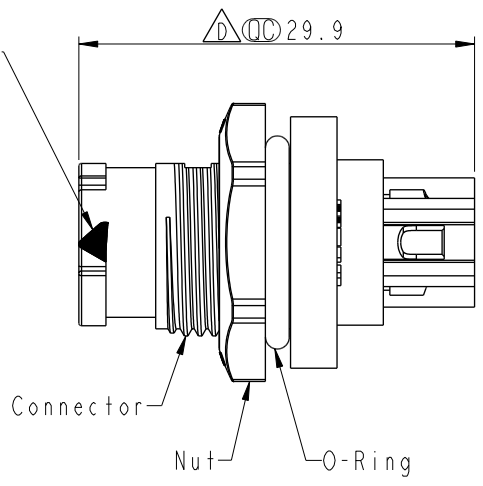
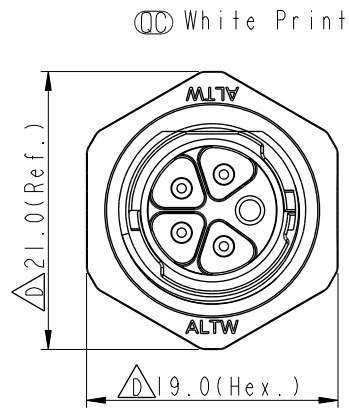


THIS DOCUMENT IS SUBJECT TO CHANGE WITHOUT NOTICE. IT IS CONFIDENTIAL AND A PROPERTY OF Amphenol LTW. DISCLOSURE TO THIRD PARTY HAS TO BE AUTHORIZED BY Amphenol LTW.

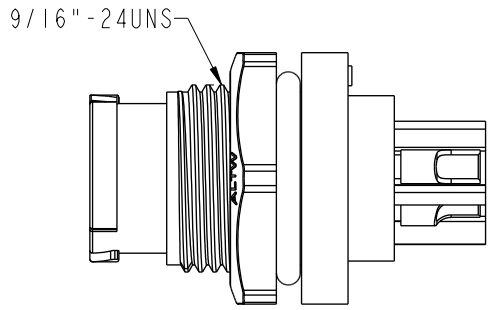
REV.	ECN NO.	DATE	SIGN	DESCRIPTION
B	C210383	2021/03/24	Ouyang	$\triangle B$ XI
C	C211048	2021/07/09	Ouyang	$\triangle C$ XI
D	C220487	2022/04/20	Vicky	$\triangle D$ X6



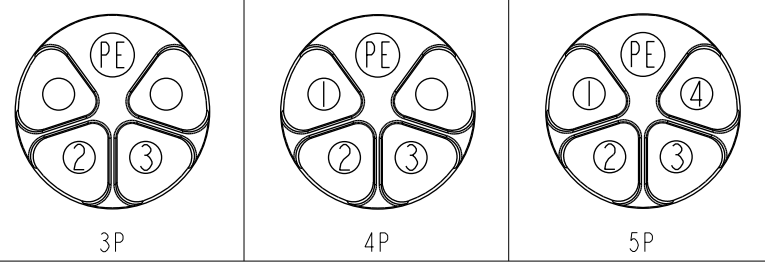
Recommended Panel Cut-Out



$\triangle D$ AG-XXPMJS-QC800P
XX: No. Of Pin



- $\triangle B \triangle C$
Note:
- * RoHS Compliant
 - * CC Important dimension
 - * Waterproof rate: IPX8, unmated 1m/24h
 - * Connector Housing: Thermoplastic, Black
 - Pin: Copper Alloy, Gold Plated
 - $\triangle D$ * Nut: Thermoplastic, Black
 - * O-Ring: Rubber, Gray
 - * Use without waterproof cap Panel thickness max: 4.0mm
 - * Use with waterproof cap Panel thickness max: 3.0mm
 - * O-Ring and nut are packed separately in pe bag



Pin Assignments Front View

UNIT:mm		TITLE
TOLERANCE	$\pm 0.5mm$	XLOK, A-16A, FRONT FASTENED M, M PWR+F GND(P), SOLDER, PUSH LOCK
SCALE	1:1	SIZE
REV.	D	WC-REV.
		CC : Inspection item

Amphenol LTW
安費諾亮泰企業股份有限公司

ITEM NO	DRAWN BY	DATE
DWG NO	CHECKED BY	DATE
CUSTOMER	APPROVED BY	DATE