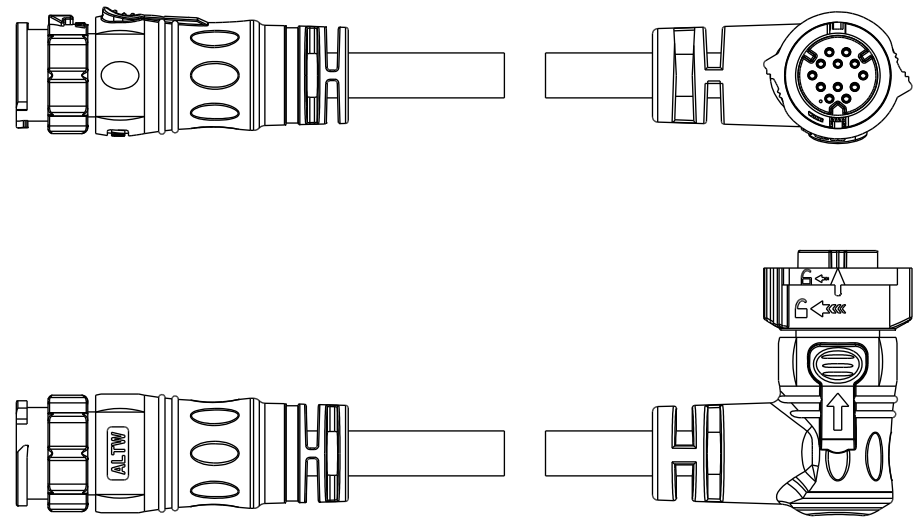
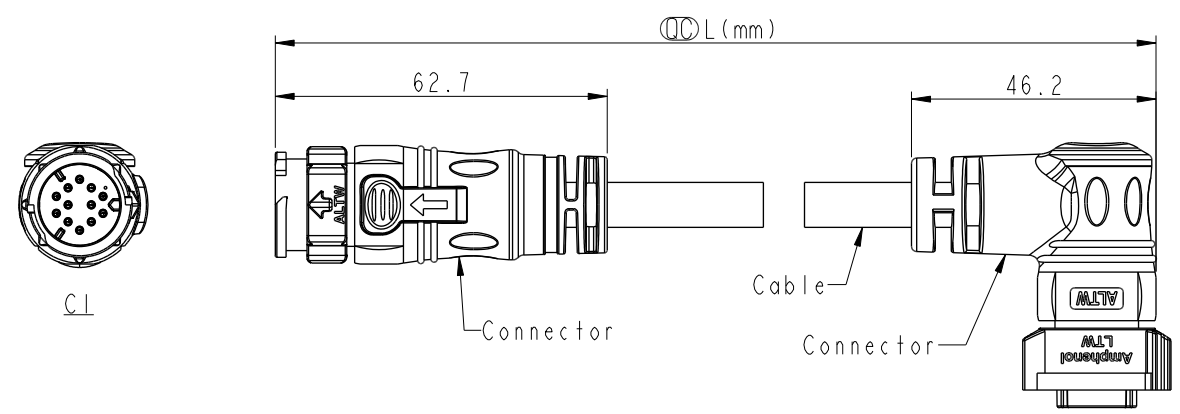


THIS DOCUMENT IS SUBJECT TO CHANGE WITHOUT NOTICE. IT IS CONFIDENTIAL AND A PROPERTY OF AMPHENOL LTW. DISCLOSURE TO THIRD PARTY HAS TO BE AUTHORIZED BY AMPHENOL LTW.

REV.	ECN NO.	DATE	SIGN	DESCRIPTION
A		2020/01/09	Ruru	Initial Released
B	C220463	2022/03/29	Ruru	\triangle B X2



- Note: \triangle
- * RoHS Compliant
 - * $\text{\textcircled{L}}$ Important dimension
 - * C1
 - Waterproof rate: IPX8, mated 1m/24h
 - Housing: Thermoplastic, Black
 - Pin: Copper Alloy, Gold Plated
 - Outer mold: Thermoplastic, Black
 - * C2
 - Waterproof rate: IPX8, mated 1m/24h
 - Housing: Thermoplastic, Black
 - Pin: Copper Alloy, Gold Plated
 - O-Ring: Rubber, Gray
 - Nut: Thermoplastic, Black
 - Outer mold: Thermoplastic, Black
 - * Cable: UL21388, PVC Jacket, Black
 - * Cable length tolerance:
 - 0.5M < L ≤ 1M: +60/-0 mm
 - 1M < L ≤ 3M: +120/-0 mm
 - 3M < L ≤ 5M: +160/-0 mm
 - 5M < L ≤ 10M: ±100 mm
 - 10M < L ≤ 20M: ±200 mm
 - 20M < L ≤ 30M: ±300 mm
 - 30M < L ≤ 99M: ±500 mm

UNIT: mm		TITLE	ACC, XLOK, C-5A, DB-ENDED MF	
TOLERANCE	±0.5 mm	SCALE	1:2	SIZE A4
		REV.	B	WC-REV.
		SHEET	1	OF 2
		$\text{\textcircled{L}}$	Inspection item	

Amphenol LTW
安費諾亮泰企業股份有限公司

ITEM NO.	DRAWN BY	DATE
	Ruru	2020-01-09
DWG NO.	CHECKED BY	DATE
AB-CDXML-CDFR-QDXXX	Rita	2020-01-09
CUSTOMER	APPROVED BY	DATE
ALTW	Max	2020-01-09

THIS DOCUMENT IS SUBJECT TO CHANGE WITHOUT NOTICE. IT IS CONFIDENTIAL AND A PROPERTY OF Amphenol LTW. DISCLOSURE TO THIRD PARTY HAS TO BE AUTHORIZED BY Amphenol LTW.

2 3 4 5 6 7 8

△
 XX: No. Of Pin

AB- CD XX M L - CD F R - Q D XXX

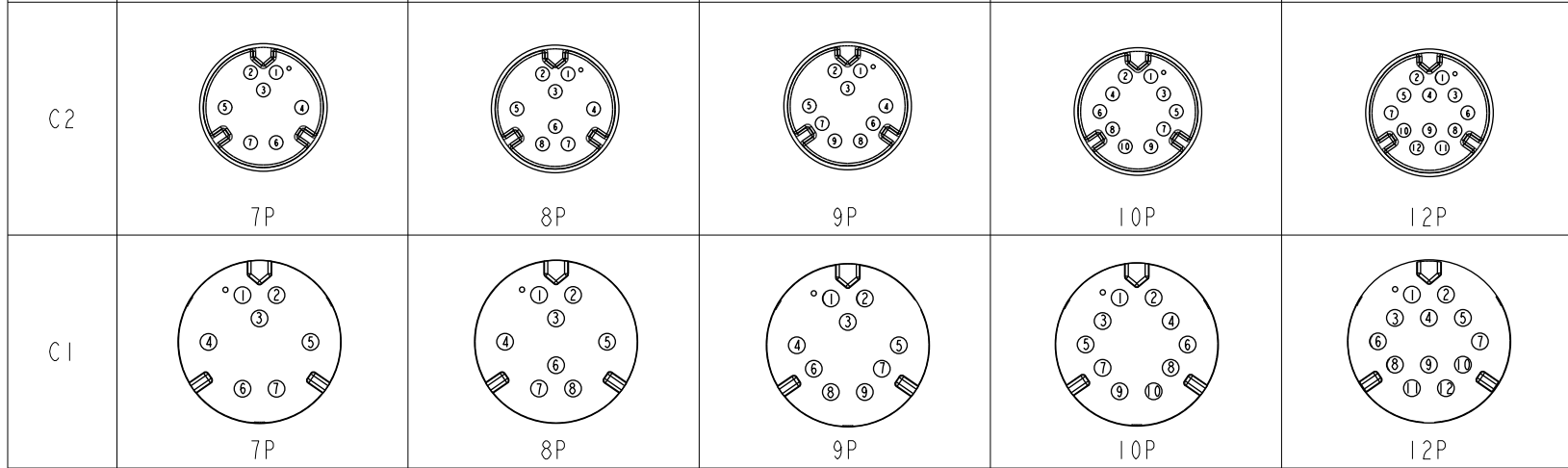
XXX: 0.5~99Meters
 A05: 0.5 Meter
 001: 01 Meter
 002: 02 Meters
 :
 099: 99 Meters

12P	PVC	8.5	20	AB-CD12ML-CDFR-QDXXX
10P		8.5		AB-CD10ML-CDFR-QDXXX
9P		7.6		AB-CD09ML-CDFR-QDXXX
8P		7.2		AB-CD08ML-CDFR-QDXXX
7P		6.8		AB-CD07ML-CDFR-QDXXX
Contacts	Cable Jacket	Cable OD	AWG	Item No.

F
E
D
C
B
A

Pin Out	7	6	8	4	3	2	1	8	7	6	5	4	3	2	1	10	9	8	7	6	5	4	3	2	1
Pin #	Wire	Wire	Wire	Wire	Wire	Wire	Wire	Wire	Wire	Wire	Wire	Wire	Wire	Wire	Wire	Wire	Wire	Wire	Wire	Wire	Wire	Wire	Wire	Wire	Wire
	Orange	Blue	Green	Yellow	Black	Red	Brown	Green	Orange	Blue	Purple	Yellow	Black	Red	Gray	White	Gray	Purple	Blue	Green	Yellow	Orange	Red	Brown	Black
	橙	藍	綠	黃	黑	紅	棕	綠	橙	藍	紫	黃	黑	紅	灰	白	灰	紫	藍	綠	黃	橙	紅	棕	黑
	淡綠	粉紅	白	灰	紫	藍	綠	黃	橙	紅	棕	黑													

Pin #	Wire	Pin #	Wire	Pin #	Wire	Pin #	Wire	Pin #	Wire	Pin #	Wire
7	Orange	8	Green	9	Brown	10	White	12	Light Green		
6	Blue	7	Orange	8	Green	9	Gray	11	Pink		
8	Green	6	Blue	7	Orange	8	Purple	10	White		
4	Yellow	5	Purple	6	Blue	7	Blue	9	Gray		
3	Black	4	Yellow	5	Purple	6	Green	8	Purple		
2	Red	3	Black	4	Yellow	5	Yellow	7	Blue		
1	Brown	2	Red	3	Black	4	Orange	6	Green		
		1	Brown	2	Red	3	Red	5	Yellow		
				1	Gray	2	Brown	4	Orange		
						1	Black	3	Red		



UNIT:mm		TITLE
TOLERANCE	± 0.5 mm	ACC, XLOK, C-5A, DB-ENDED MF
SCALE	1:2	SIZE A4
REV.	B	SHEET 2 OF 2
		WC-REV.
		QC: Inspection item

Amphenol LTW
 安費諾亮泰企業股份有限公司

ITEM NO	DWG NO	CUSTOMER	DRAWN BY	CHECKED BY	APPROVED BY	DATE
	AB-CDXXML-CDFR-QDXXX	ALTW	Ruru	Rita	Max	2020-01-09

2 3 4 5 6 7 8 W10814-03-0001A2