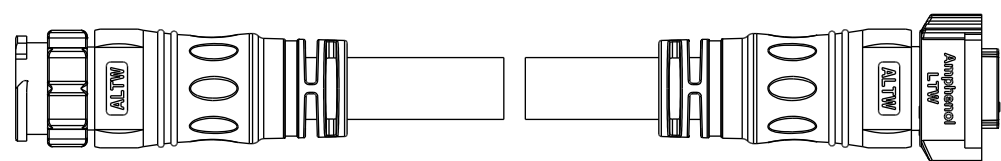
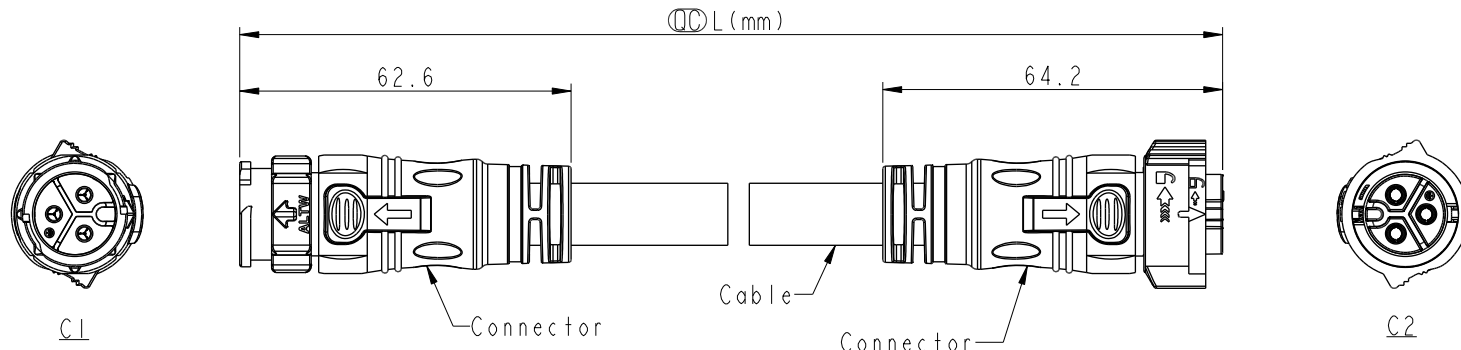


THIS DOCUMENT IS SUBJECT TO CHANGE WITHOUT NOTICE. IT IS CONFIDENTIAL AND A PROPERTY OF AMPHENOL LTW. DISCLOSURE TO THIRD PARTY HAS TO BE AUTHORIZED BY AMPHENOL LTW.

REV.	ECN NO.	DATE	SIGN	DESCRIPTION
A		2020/01/07	Ruru	Initial Released
B	C220464	2022/04/07	Ruru	$\triangle B$ X2



- Note:  $\triangle B$
- \* RoHS Compliant
  - \*  $\text{CC}$  Important dimension
  - \* C1
    - Waterproof rate: IPX8, mated 1m/24h
    - Housing: Thermoplastic, Black
    - Pin: Copper Alloy, Gold Plated
    - Outer mold: Thermoplastic, Black
  - \* C2
    - Waterproof rate: IPX8, mated 1m/24h
    - Housing: Thermoplastic, Black
    - Pin: Copper Alloy, Gold Plated
    - O-Ring: Rubber, Gray
    - Nut: Thermoplastic, Black
    - Outer mold: Thermoplastic, Black
  - \* Cable: SJTW, PVC Jacket, Black
  - \* Cable length tolerance:
 

0.5M < L ≤ 1M:	+60/-0 mm
1M < L ≤ 3M:	+120/-0 mm
3M < L ≤ 5M:	+160/-0 mm
5M < L ≤ 10M:	±100 mm
10M < L ≤ 20M:	±200 mm
20M < L ≤ 30M:	±300 mm
30M < L ≤ 99M:	±500 mm

UNIT: mm	
TOLERANCE	±0.5 mm

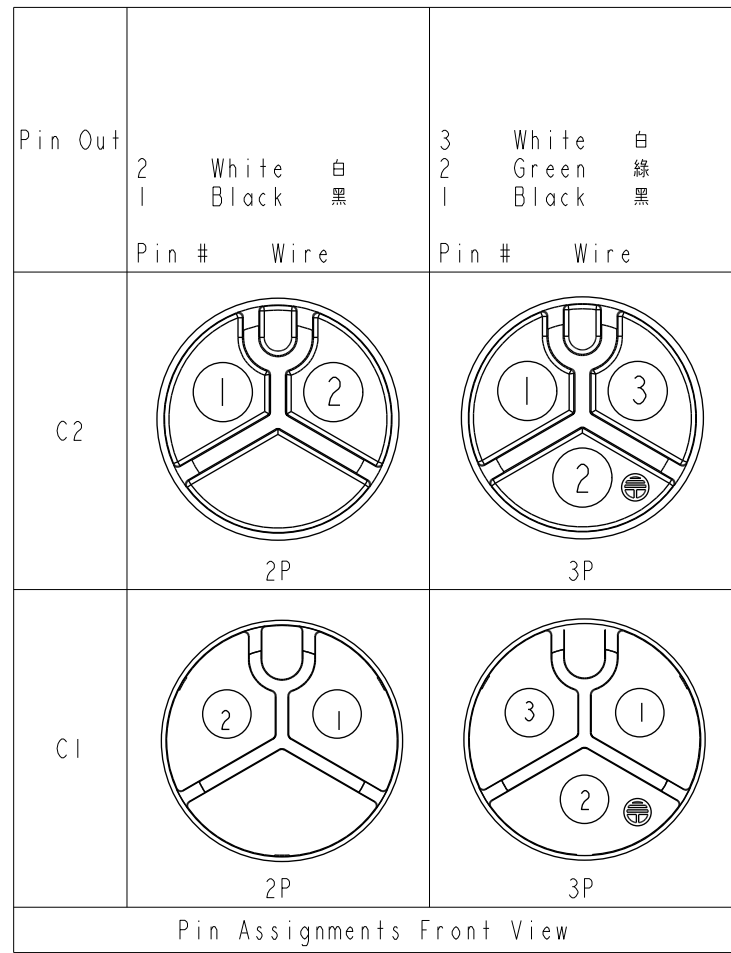
TITLE ACC, XLOK, C-20A, DB-ENDED MF		
SCALE 1:2	SIZE A4	SHEET 1 OF 2
REV. B	WC-REV.	$\text{CC}$ : Inspection item

**Amphenol LTW**  
安費諾亮泰企業股份有限公司

ITEM NO.	DRAWN BY Ruru	DATE 2020-01-07
DWG NO. AB-CCXXML-CCFL-QEXXX	CHECKED BY Rita	DATE 2020-01-07
CUSTOMER ALTW	APPROVED BY Max	DATE 2020-01-07

THIS DOCUMENT IS SUBJECT TO CHANGE WITHOUT NOTICE. IT IS CONFIDENTIAL AND A PROPERTY OF AMPHENOL LTW. DISCLOSURE TO THIRD PARTY HAS TO BE AUTHORIZED BY AMPHENOL LTW.

3P		PVC	11.7	12	AB-CC03ML-CCFL-QEXXX
2P			10.7		AB-CC02ML-CCFL-QEXXX
Contacts	Cable Jacket	Cable OD	AWG	Item No.	



UNIT:mm		TITLE	ACC, XLOK, C-20A, DB-ENDED MF		
TOLERANCE	± 0.5 mm	SCALE	1:2	SIZE	A4
		REV.	B	WC-REV.	
				SHEET	2 OF 2
				☉: Inspection item	

**Amphenol LTW**  
安費諾亮泰企業股份有限公司

ITEM NO	DRAWN BY	DATE
	Ruru	2020-01-07
DWG NO	CHECKED BY	DATE
AB-CCXXML-CCFL-QEXXX	Rita	2020-01-07
CUSTOMER	APPROVED BY	DATE
ALTW	Max	2020-01-07