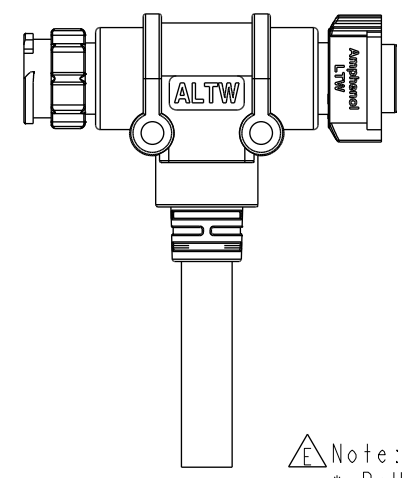
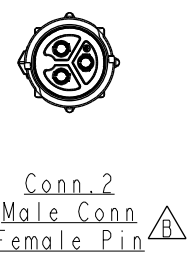
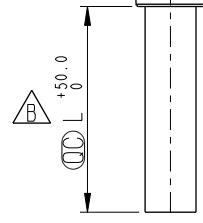
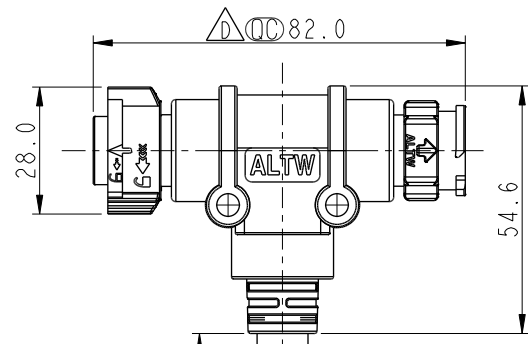
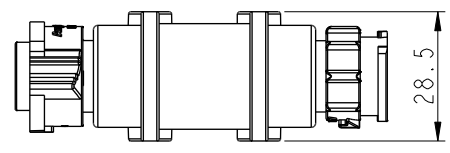


THIS DOCUMENT IS SUBJECT TO CHANGE WITHOUT NOTICE. IT IS CONFIDENTIAL AND A PROPERTY OF Amphenol LTW. DISCLOSURE TO THIRD PARTY HAS TO BE AUTHORIZED BY Amphenol LTW.

REV.	ECN NO.	DATE	SIGN	DESCRIPTION
C	C192112	2019/12/11	Ouyang	△C X1
D	C200958	2020/06/19	Ouyang	△D X1
E	C220487	2022/04/20	Vicky	△E X4



- △E Note:
- * RoHS Compliant
 - * Ⓞ Important dimension
 - * C1
Waterproof rate: IPX7
Housing: Thermoplastic, Black
Pin: Copper alloy, Gold plated
O-Ring: Rubber, Gray
Nut: Thermoplastic, Black
 - * C2
Waterproof rate: IPX7
Housing: Thermoplastic, Black
Pin: Copper alloy, Gold plated
 - * Outer Mold: Thermoplastic, Black

△B Conn. 1
Female Conn
Male Pin

UNIT: mm

TOLERANCE

±0.5mm

TITLE ACC, XLOK, C-20A, T ADA W/ CB FM			SHEET 1 OF 2
SCALE 3:5	SIZE A4	WC-REV. .0	
REV. E	Ⓞ: Inspection item		

Amphenol LTW
安費諾亮泰企業股份有限公司

ITEM NO	DRAWN BY Ouyang	DATE 2019-08-05
DWG NO AB-CC-XXXX00-BH0-TQEXX	CHECKED BY Jerry	DATE 2019-08-05
CUSTOMER ALTW	APPROVED BY Fred	DATE 2019-08-05

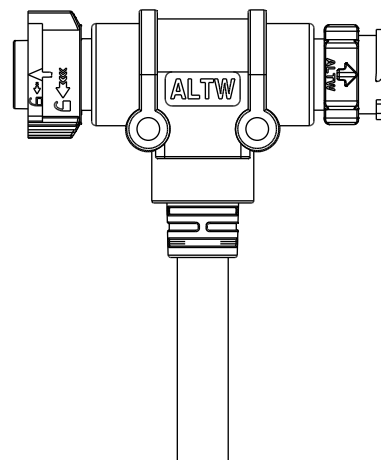
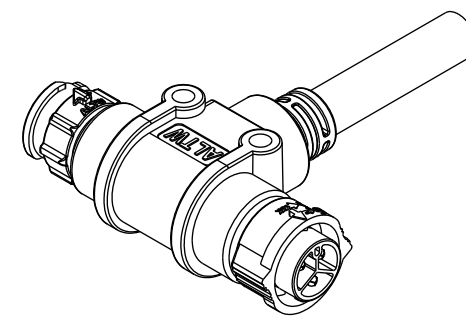
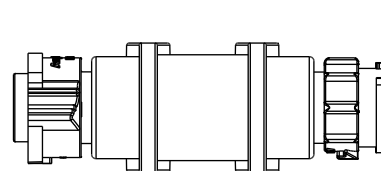
THIS DOCUMENT IS SUBJECT TO CHANGE WITHOUT NOTICE. IT IS CONFIDENTIAL AND A PROPERTY OF AMPHENOL LTW. DISCLOSURE TO THIRD PARTY HAS TO BE AUTHORIZED BY AMPHENOL LTW.

AB-CC-XXXX00-BH0-TQEXX



XXXX: No. Of Pin

XX:01~99Meters
 01:01Meter
 02:02Meters
 :
 99:99Meters



1	White	白	1	White	白
3	Black	黑	3	Black	黑
Conn.1	Internal Wiring		Conn.2	Internal Wiring	
Cable	Drop Cable: SJTW 12AWG*2C,PVC Jacket UV resistant, OD10.7, Black				

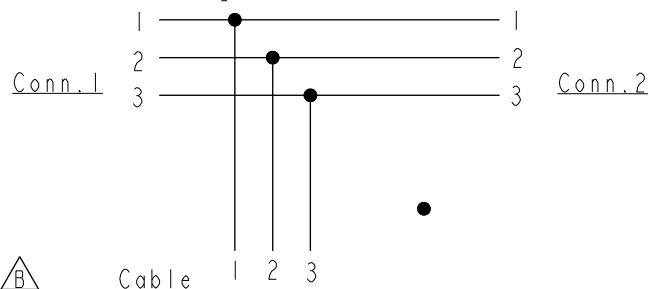
2Pin Assignments Pin Out And Cable SPEC.

1	White	白	1	White	白
2	Green	綠	2	Green	綠
3	Red	紅	3	Red	紅
Conn.1	Internal Wiring		Conn.2	Internal Wiring	

Cable	Drop Cable: SJTW 12AWG*3C,PVC Jacket UV resistant, OD11.2, Black				
-------	---	--	--	--	--

3Pin Assignments Pin Out And Cable SPEC.

Connection Diagram



	Pin Assignments Front View	
	2Pin	3Pin
Male		
Female		

UNIT:mm			TITLE	ACC, XLOK, C-20A, T ADA W/ CB FM
TOLERANCE	±0.5mm		SCALE	3:5
			SIZE	A4
			SHEET	2 OF 2
			REV.	E
			WC-REV.	.0
			QC: Inspection item	

Amphenol LTW
 安費諾亮泰企業股份有限公司

ITEM NO	DRAWN BY	DATE
DWG NO	CHECKED BY	DATE
CUSTOMER	APPROVED BY	DATE
ALTW	Ouyang Jerry Fred	2019-08-05 2019-08-05 2019-08-05