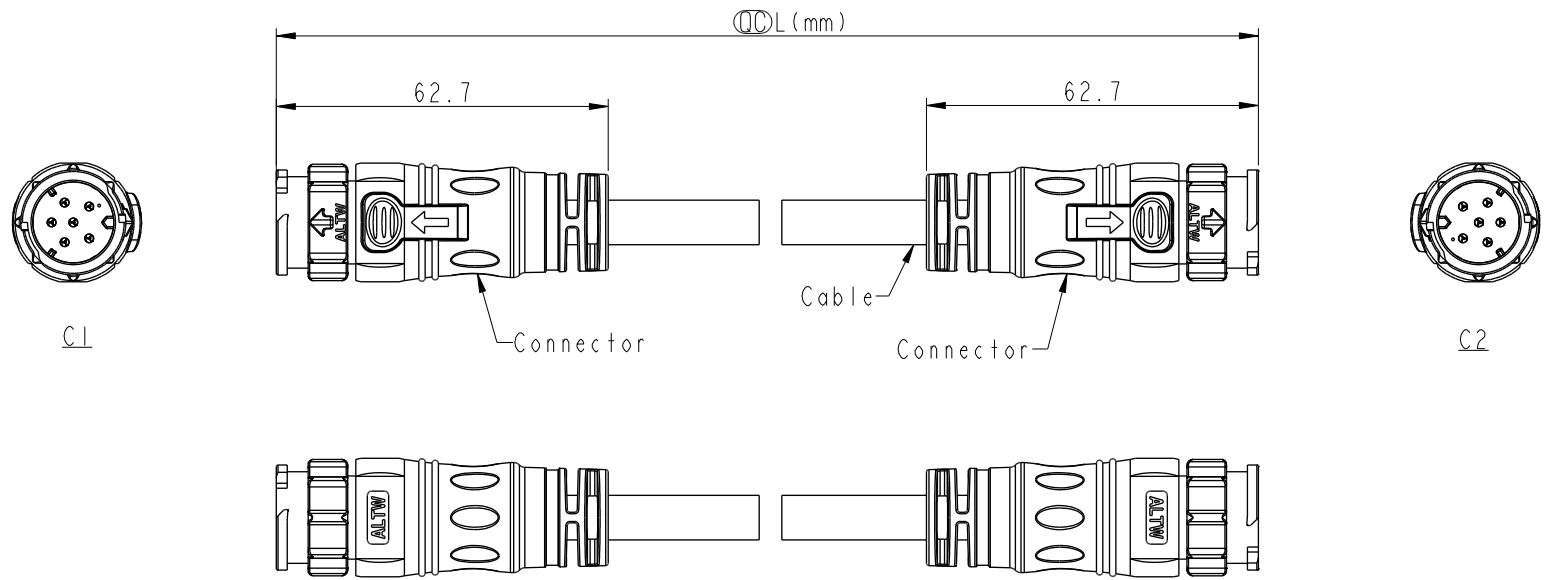


THIS DOCUMENT IS SUBJECT TO CHANGE WITHOUT NOTICE. IT IS CONFIDENTIAL AND A PROPERTY OF Amphenol LTW. DISCLOSURE TO THIRD PARTY HAS TO BE AUTHORIZED BY Amphenol LTW.

REV.	ECN NO.	DATE	SIGN	DESCRIPTION
A		2020/01/02	Ruru	Initial Released
B	C220460	2022/03/29	Ruru	$\triangle B$ X2



Note: $\triangle B$

- * RoHS Compliant
- * $\text{\textcircled{L}}$ Important dimension
- * Waterproof rate: IPX8, mated 1m/24h
- * Connector
 - Housing: Thermoplastic, Black
 - Pin: Copper Alloy, Gold Plated
 - Outer mold: Thermoplastic, Black
- * Cable: UL21388, PVC Jacket, Black
- * Cable length tolerance:
 - 0.5M < L ≤ 1M: +60/-0 mm
 - 1M < L ≤ 3M: +120/-0 mm
 - 3M < L ≤ 5M: +160/-0 mm
 - 5M < L ≤ 10M: ±100 mm
 - 10M < L ≤ 20M: ±200 mm
 - 20M < L ≤ 30M: ±300 mm
 - 30M < L ≤ 99M: ±500 mm

UNIT:mm		
TOLERANCE	±0.5 mm	

TITLE ACC, XLOK, C-10A, DB-ENDED MM		
SCALE 1:2	SIZE A4	SHEET 1 OF 2
REV. B	WC-REV.	$\text{\textcircled{L}}$: Inspection item

Amphenol LTW
安費諾亮泰企業股份有限公司

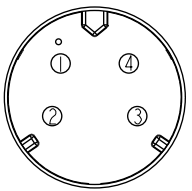
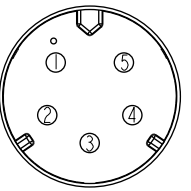
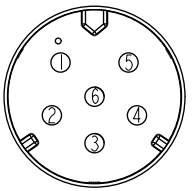
ITEM NO	DRAWN BY Ruru	DATE 2020-01-02
DWG NO AB-CBXXML-CBML-QDXXX	CHECKED BY Rita	DATE 2020-01-02
CUSTOMER ALTW	APPROVED BY Max	DATE 2020-01-02



THIS DOCUMENT IS SUBJECT TO CHANGE WITHOUT NOTICE. IT IS CONFIDENTIAL AND A PROPERTY OF Amphenol LTW. DISCLOSURE TO THIRD PARTY HAS TO BE AUTHORIZED BY Amphenol LTW.

6P		PVC	8.4	16	AB-CB06ML-CBML-QDXXX
5P			7.6		AB-CB05ML-CBML-QDXXX
4P			6.8		AB-CB04ML-CBML-QDXXX
Contacts	Cable Jacket	Cable OD	AWG	Item No.	

B
AB- CB XX M L - CB M L - Q D XXX

XX: No. Of Pin | | XXX: 0.5~99Meters
| | A05: 0.5 Meter
| | 001: 01 Meter
| | 002: 02 Meters
| | :
| | 099: 99 Meters

Pin Out	4	Orange	橙	5	Yellow	黃	6	Green	綠
	3	Red	紅	4	Orange	橙	5	Yellow	黃
	2	Brown	棕	3	Red	紅	4	Orange	橙
	1	Black	黑	2	Brown	棕	3	Red	紅
				1	Black	黑	2	Brown	棕
							1	Black	黑
	Pin #	Wire		Pin #	Wire		Pin #	Wire	
C1 & C2									
	4P			5P			6P		
Pin Assignments Front View									

UNIT:mm			TITLE	ACC, XLOK, C-10A, DB-ENDED MM		
TOLERANCE			SCALE	SIZE	SHEET	OF
± 0.5 mm			1:2	A4	2	2
			REV.	WC-REV.	QC: Inspection item	
			B			

Amphenol LTW
 安費諾亮泰企業股份有限公司

ITEM NO	DRAWN BY	DATE
	Ruru	2020-01-02
DWG NO	CHECKED BY	DATE
AB-CBXXML-CBML-QDXXX	Rita	2020-01-02
CUSTOMER	APPROVED BY	DATE
ALTW	Max	2020-01-02