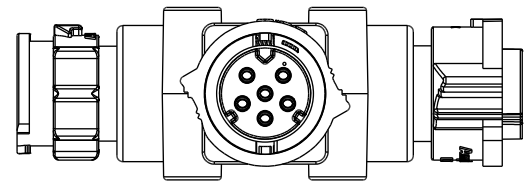
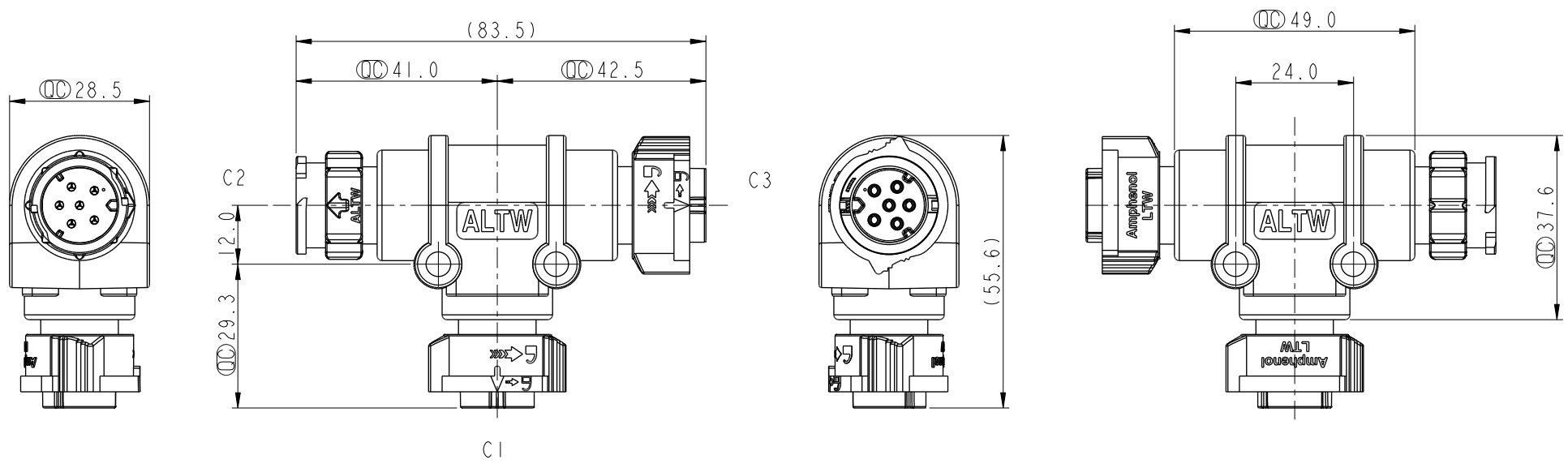


THIS DOCUMENT IS SUBJECT TO CHANGE WITHOUT NOTICE. IT IS CONFIDENTIAL AND A PROPERTY OF Amphenol LTW. DISCLOSURE TO THIRD PARTY HAS TO BE AUTHORIZED BY Amphenol LTW.

REV.	ECN NO.	DATE	SIGN	DESCRIPTION
B	C220487	2022/04/01	Vicky	$\triangle B$ X4



- $\triangle B$ Note:
- * RoHS Compliant
 - * \varnothing Important dimension
 - * C1 & C3
Waterproof rate: IPX8, mated 1m/24h
Housing: Thermoplastic, Black
Pin: Copper alloy, Gold plated
O-Ring: Rubber, Gray
Nut: Thermoplastic, Black
 - * C2
Waterproof rate: IPX8, mated 1m/24h
Housing: Thermoplastic, Black
Pin: Copper alloy, Gold plated
 - * Wire: UL1007, 16AWG
 - * Outer Mold: Thermoplastic, Black

UNIT: mm		TITLE ACC, XLOK, C-10A, T ADA W/O CB FMF
TOLERANCE ± 0.5 mm	SCALE 1:1	SIZE A4
	REV. B	WC-REV. .0
		SHEET 1 OF 2
		\varnothing : Inspection item

Amphenol LTW
安費諾亮泰企業股份有限公司

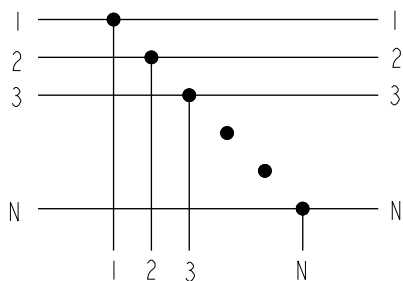
ITEM NO.	DRAWN BY Eric	DATE 2019/09/20
DWG NO. AB-CB-XXXXXX-FMF-TQ001	CHECKED BY Brady	DATE 2019/09/20
CUSTOMER ALTW	APPROVED BY Neo	DATE 2019/09/20

THIS DOCUMENT IS SUBJECT TO CHANGE WITHOUT NOTICE. IT IS CONFIDENTIAL AND A PROPERTY OF Amphenol LTW. DISCLOSURE TO THIRD PARTY HAS TO BE AUTHORIZED BY Amphenol LTW.

AB-CB-XXXXXX-FMF-TQ001



XXXXXX: No. Of Pin



Connection Diagram

	Pin Assignments Front View					
	4PIN		5PIN		6PIN	
MALE						
Female						
Pin Out	Pin#	Color	Pin#	Color	Pin#	Color
	Pin1	Black(黑)	Pin1	Black(黑)	Pin1	Black(黑)
	Pin2	Brown(棕)	Pin2	Brown(棕)	Pin2	Brown(棕)
	Pin4	Orange(橙)	Pin3	Red(紅)	Pin3	Red(紅)
	Pin5	Yellow(黃)	Pin4	Orange(橙)	Pin4	Orange(橙)
				Pin5	Yellow(黃)	Pin5
					Pin6	Green(綠)

UNIT:mm			TITLE
TOLERANCE	±0.5mm		ACC, XLOK, C-10A, T ADA W/O CB FMF
SCALE	1:1	SIZE	A4
REV.	B	SHEET	2 OF 2
WC-REV.	.0	QC	Inspection item

Amphenol LTW
安費諾亮泰企業股份有限公司

ITEM NO	DWG NO	CUSTOMER	DRAWN BY	DATE
	AB-CB-XXXXXX-FMF-TQ001	ALTW	Eric	2019/09/20
			CHECKED BY	DATE
			Brady	2019/09/20
			APPROVED BY	DATE
			Neo	2019/09/20