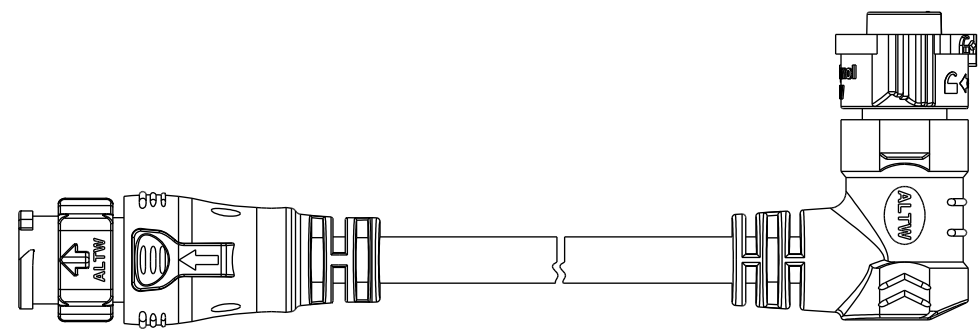
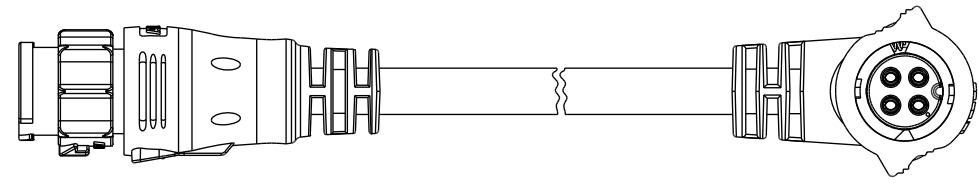
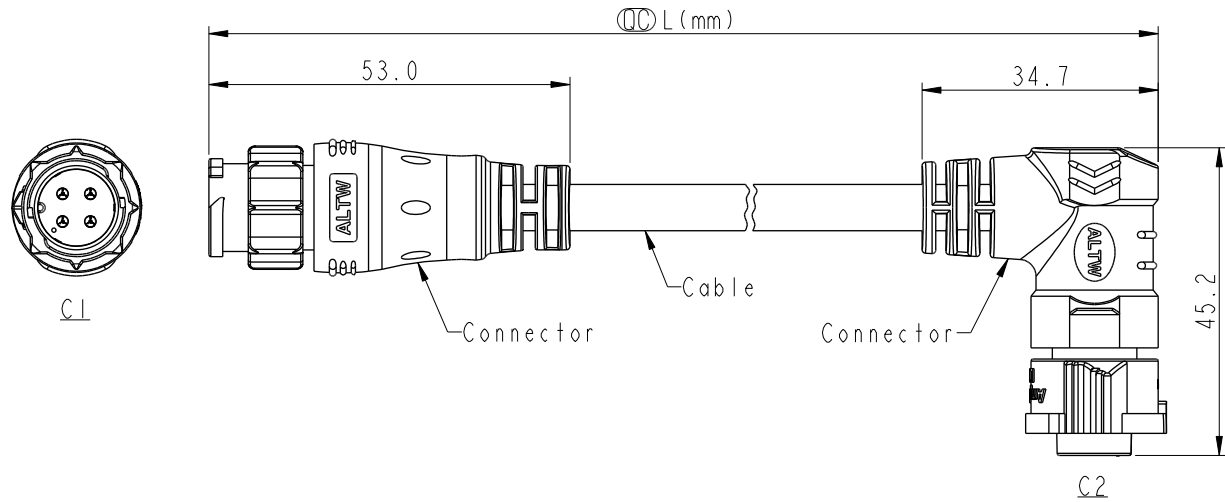


THIS DOCUMENT IS SUBJECT TO CHANGE WITHOUT NOTICE. IT IS CONFIDENTIAL AND A PROPERTY OF AMPHENOL LTW. DISCLOSURE TO THIRD PARTY HAS TO BE AUTHORIZED BY AMPHENOL LTW.

REV.	ECN NO.	DATE	SIGN	DESCRIPTION
A		2020/01/20	Vicky	Initial Released
B	C220469	2022/03/25	Vicky	$\triangle B$ X2



Note:

- \* RoHS Compliant
- \*  $\text{CC}$  Important dimension
- \* C1  
Waterproof rate: IPX8, mated 1m/24h  
Housing: Thermoplastic, Black  
Pin: Copper alloy, Gold plated  
Outer Mold: Thermoplastic, Black
- \* C2  
Waterproof rate: IPX8, mated 1m/24h  
Housing: Thermoplastic, Black  
Pin: Copper alloy, Gold plated  
O-Ring: Rubber, Dark gray  
Nut: Thermoplastic, Black  
Outer Mold: Thermoplastic, Black
- \* Cable: UL21388, PVC Jacket, Black
- \* Cable length tolerance:
 

0.5M < L ≤ 1M	: +60/-0 mm
1M < L ≤ 3M	: +120/-0 mm
3M < L ≤ 5M	: +160/-0 mm
5M < L ≤ 10M	: ±100 mm
10M < L ≤ 20M	: ±200 mm
20M < L ≤ 30M	: ±300 mm
30M < L ≤ 99M	: ±500 mm

UNIT: mm		TITLE	ACC, XLOK, B-10A, DB-ENDED MF		
TOLERANCE	±0.5mm	SCALE	1:2	SIZE	A4
		REV.	B	WC-REV.	A.5
			$\text{CC}$ : Inspection item	SHEET	1 OF 2

**Amphenol LTW**  
安費諾亮泰企業股份有限公司

ITEM NO.	DRAWN BY	DATE
	Vicky	2020-01-20
DWG NO.	CHECKED BY	DATE
AB-BBXXML-BBFR-QDXXX	Rita	2020-01-20
CUSTOMER	APPROVED BY	DATE
ALTW	Max	2020-01-20

THIS DOCUMENT IS SUBJECT TO CHANGE WITHOUT NOTICE. IT IS CONFIDENTIAL AND A PROPERTY OF AMPHENOL LTW. DISCLOSURE TO THIRD PARTY HAS TO BE AUTHORIZED BY AMPHENOL LTW.

4P	PVC	6.8	16	AB-BB04ML-BBFR-QDXXX
3P		6.5		AB-BB03ML-BBFR-QDXXX
2P		6.0		AB-BB02ML-BBFR-QDXXX
Contacts	Cable Jacket	Cable OD	AWG	Item No.

AB-BB XX ML-BBFR-QD XXX

△B XX: No. Of Pin

XXX: 0.5~99Meters  
 A05: 0.5 Meter  
 001: 01 Meter  
 002: 02 Meters  
 .  
 099: 99 Meters

Pin Out	2	3	4
	Red Black	Red Brown Black	Orange Red Brown Black
	紅 黑	紅 棕 黑	橙 紅 棕 黑
	Pin # Wire	Pin # Wire	Pin # Wire
C2			
	2P	3P	4P
C1			
	2P	3P	4P

Pin Assignments Front View

UNIT:mm		TITLE	ACC, XLOK, B-10A, DB-ENDED MF	
TOLERANCE	±0.5mm	SCALE	1:2	SIZE A4
		REV.	B	WC-REV. A.5
		SHEET	2	OF 2
		QC: Inspection item		

**Amphenol LTW**  
 安費諾亮泰企業股份有限公司

ITEM NO	DRAWN BY	DATE
	Vicky	2020-01-20
DWG NO	CHECKED BY	DATE
AB-BBXXML-BBFR-QDXXX	Rita	2020-01-20
CUSTOMER	APPROVED BY	DATE
ALTW	Max	2020-01-20