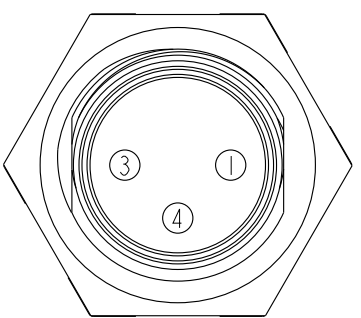
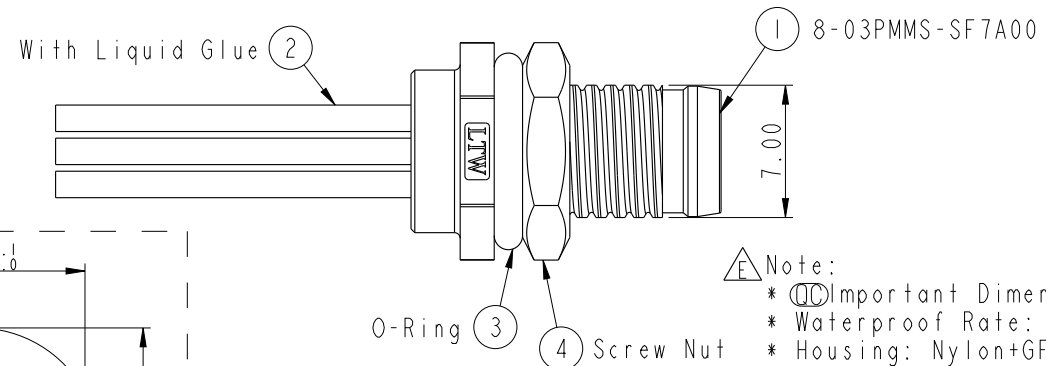
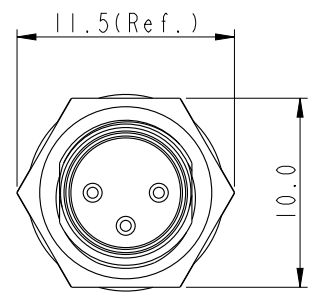
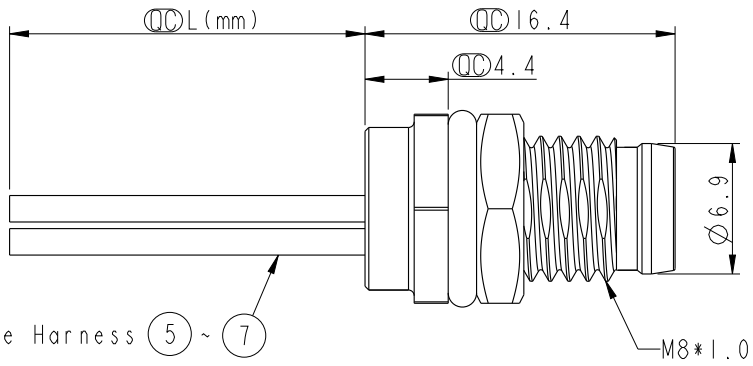


THIS DOCUMENT IS SUBJECT TO CHANGE WITHOUT NOTICE. IT IS CONFIDENTIAL AND A PROPERTY OF Amphenol LTW. DISCLOSURE TO THIRD PARTY HAS TO BE AUTHORIZED BY Amphenol LTW.

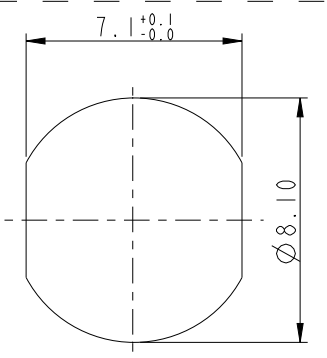
REV.	ECN NO.	DATE	SIGN	DESCRIPTION
C	CI80508	2018-12-05	Ouyang	Change Title
D	EI91630	2019-09-19	Ruru	Update Wire Tolerance
E	CI92160	2019-12-21	Peng	EXI

8-03PMMS-SF7AXX

15: 150mm
 20: 200mm
 Cable Pitch Unit=50mm
 A0: 1000mm
 A5: 1500mm
 Cable Pitch Unit=100mm
 Wire Length (L): 150~1500 mm



Pin Assignment
Front View



Recommended
Panel Cut-Out

- Note:
- * Important Dimension.
 - * Waterproof Rate: IP67
 - * Housing: Nylon+GF, Black
 - * Male Pin: Copper Alloy, Gold Plated
 - * Shield: Zinc Alloy, Nickel Plated
 - * Nut: Copper Alloy, Nickel Plated
 - * O-Ring: EPDM, Black
 - * Wire Harness: UL1007, 24AWG
 - * Panel Thickness For Snap-in Type Max 3.0mm
 - * Panel Thickness For Screw Type Max 1.9mm
 - * Nut Torque: 4-6 kgf.cm
 - * Wire harness Tolerance: 150~300±15mm
301~1000±20mm
Over1000 ±50/-0mm

4	Black	黑
3	Blue	藍
1	Brown	棕
Conn.	Wire Color	Pin Out

UNIT: mm

TOLERANCE	
.X	±0.25
.XX	±0.1
.XXX	±0.05
ANGLES	±1°

TITLE			
M8 3PIN PANEL M CONN M PIN			
SCALE	2:1	SIZE	A4
REV.	E	WC-REV.	B.2
		Inspection item	

Amphenol LTW
 安費諾亮泰企業股份有限公司

ITEM NO	DWG NO	CUSTOMER	DATE
	8-03PMMS-SF7AXX	ALTW	2019-09-19
DRAWN BY	CHECKED BY	APPROVED BY	DATE
Ruru	Rita	Max	2019-09-19