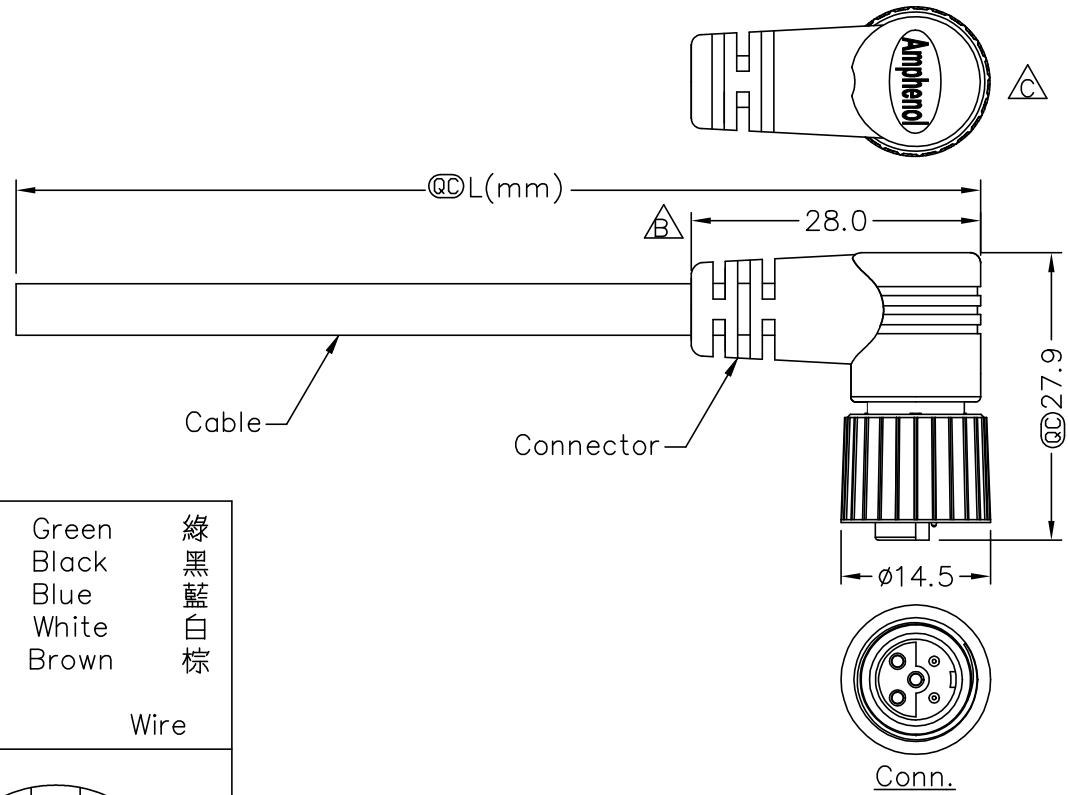
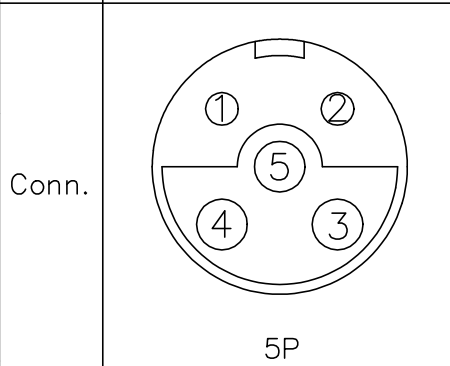


REV.	ECN NO.	DATE	SIGN	DESCRIPTION
B	LEN-931048~1051	2009/01/14	Prune	Update the drawing
C	C210219	2021/03/16	Vicky	△ X5
D	C210796	2021/05/24	Vicky	△ X1



Pin Out	Color	Wire
5	Green	綠
4	Black	黑
3	Blue	藍
2	White	白
1	Brown	棕



Pin Assignments Front View

△ 12-XXAFIM-SR7BXX
 XX: No. Of Pin
 XX: 01~99Meters
 01: 01Meter
 02: 02Meters
 :
 :
 99: 99Meters
 Cable Length(L): 01~99Meters

- △ Note:
- * RoHS Compliant
 - * @ Important dimension
 - * Waterproof rate: IPX7, mated
 - * Connector
 Housing: Thermoplastic, Black
 Pin: Copper alloy, Gold plated
 O-Ring: Rubber, Green
 Nut: Metal
 Outer mold: Thermoplastic, Black
 - * Cable: 22#*5C+Insulation, OD=5.0mm, PU Jacket, Black
 - △ * Cable length tolerance:
 1M: +50/-0 mm
 1M < L ≤ 3M: +100/-0 mm
 3M < L ≤ 5M: +150/-0 mm
 5M < L ≤ 10M: ±100 mm
 10M < L ≤ 20M: ±200 mm
 20M < L ≤ 30M: ±300 mm
 △ 30M < L ≤ 99M: ±500 mm

UNIT:mm	TITLE O SEN, M12 A (I) CABLE W/SR, F, I, MOLDING	Amphenol LTW 安費諾亮泰企業股份有限公司		ITEM NO	DRAWN BY Prune	DATE 2009/01/14
TOLERANCE ±0.5mm	SCALE Free	SHEET 1 OF 1		DWG. NO △ 12-XXAFIM-SR7BXX	CHECKED BY Tina	DATE 2009/01/16
REV. D	SIZE A4	@ : Inspection Item		CUSTOMER ALTW	APPROVED BY Luke	DATE 2009/03/25

THIS DOCUMENT IS SUBJECT TO CHANGE WITHOUT NOTICE. IT IS CONFIDENTIAL AND A PROPERTY OF Amphenol LTW. DISCLOSURE TO THIRD PARTY HAS TO BE AUTHORIZED BY Amphenol LTW.