

QUARTZ CRYSTAL UNIT IN SMD 5.0x3.2MM GLASS SEAL PACKAGE.
PRODUCT FEATURES

- Dimensions 5.0x3.2x1.3 with 2 solder pads.
- Low cost ceramic glass seal package.
- Tight tolerances and stabilities over temperature range.
- RoHS compliant by exemption and HALOGEN-FREE.

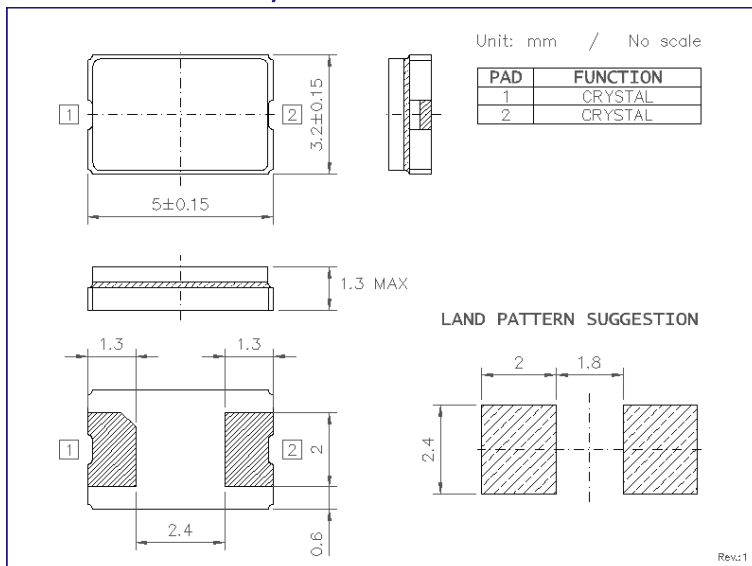
APPLICATIONS

- Motherboard
- Computer peripherals
- Handheld equipment

PRODUCT PHOTO (NOT IN SCALE)

PRODUCT SPECIFICATIONS

PARAMETER	XC53G2		CONDITIONS / REMARKS
Nominal frequency range	8.0 ~ 80.0MHz		Fundamental up to 50MHz and 3rd overtone from 40MHz.
Crystal cut and mode	AT-cut / FUND & 3rd Overtone		
Frequency tolerance	±10ppm to ±50ppm		Other options available.
Frequency stability	±10ppm	±30ppm	Other options available.
Operating temperature range	-20 to +70°C	-40 to +85°C	Other options available.
Equivalent series resistance	80Ω		FUND - 8.0 ~ 12.0MHz
	60Ω		FUND - 12.1 ~ 20.0MHz
	50Ω		FUND - 20.1 ~ 50.0MHz
	120Ω		3rd OT - 40.0 ~ 60.0MHz
	100Ω		3rd OT - 60.1 ~ 80.0MHz
Load capacitance	6 ~ 32pF or SERIES		Please specify.
Shunt capacitance	<5pF		--
Drive level	10μW TYP / 200μW MAX		--
Aging	±3ppm		Per year

PACKAGE OUTLINE / DIMENSIONS

PACKAGING INFORMATION

- Tape & Reel compliant to EIA-481.
- Embossed carrier width 12mm.
- Component pitch in carrier 8mm.
- Reel diameter 180mm.
- QTY per reel: 1,000pcs MAX.

RECOMMENDED REFLOW PROFILE
