

特性 (FEATURES)

- Miniature package 微型封装: 2.5 × 2.0 × 0.9mm
- Tri-state enable/disable: 三态输出
- TTL/HCOMS compatible: TTL/HCOMS兼容
- 1.8v、2.5v、2.85V、3.3v input voltage:
- 1.8v、2.5v、2.85V、3.3v 输入电压



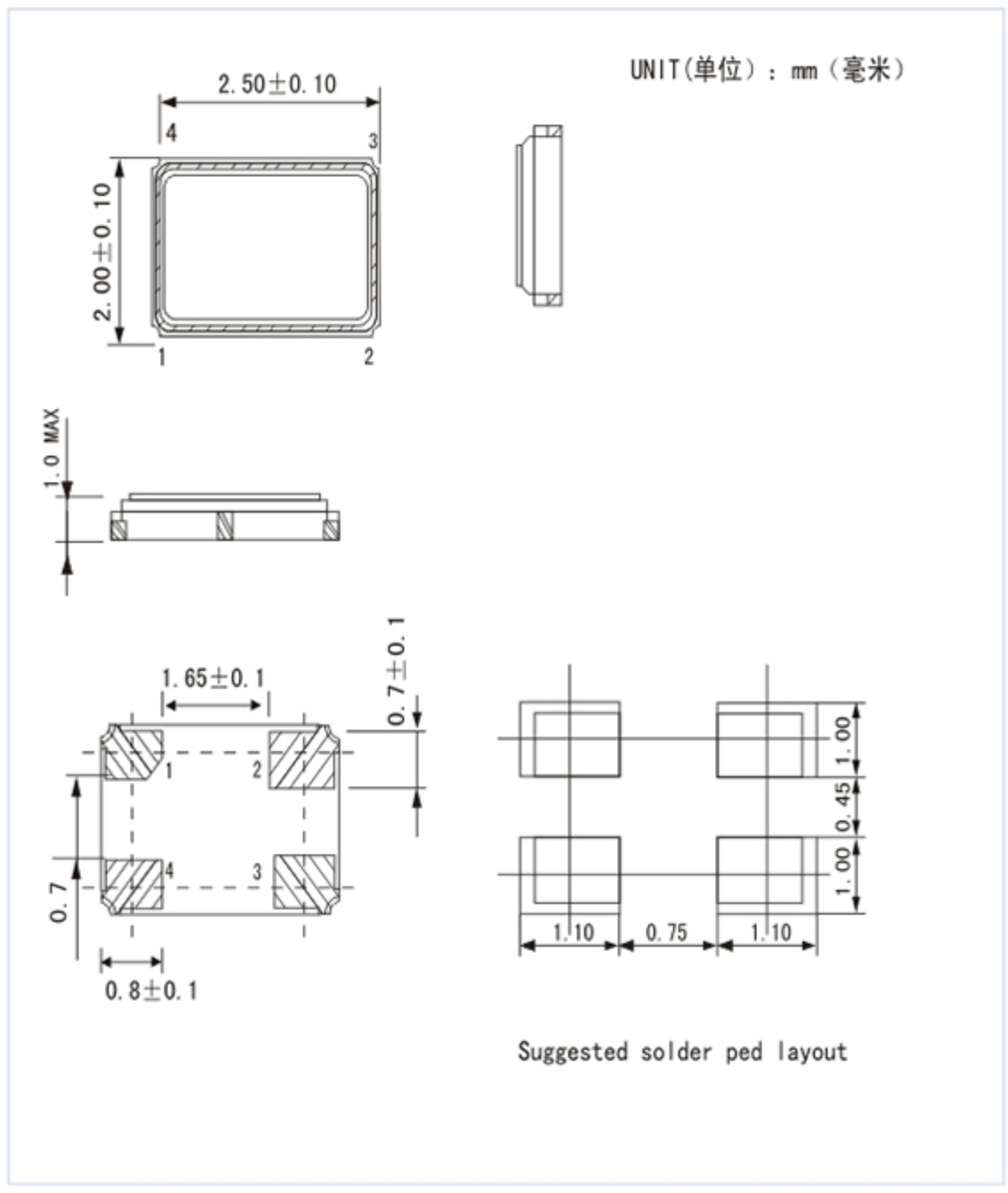
Pb Free

RoHS Compliant
Directive 2002/95/EC

标准规格 (STANDARD SPECIFICATION)

Item	Model	TXO-2520 SERIES
频率范围 (Frequency Range)		1.000MHZ~60.000MHZ
评率偏差 (Frequency Stability)		± 25ppmor ± 50ppm
输出电压 (Supply Voltage)		± 10ppm、± 30ppm or SPECIFY
工作温度范围 (Operating Temperature Range)		-10°C ~ +60°C to -40°C ~ +85°C
储存温度范围 (Storage Temperature Range)		-40°C ~ +85°C / -55°C ~ +125°C
占空比 (Symmetry)		40/60 Standard
输出 (Output Load)		15PF hcmos or 10TTL
消耗电流 (Shunt Capacitance) (5.0V)		1.000MHz – 60.000MHz=15mA Max
Current Consumption(15pf only) (1.8V 2.5V 2.85V 3.3V)		1.000MHz – 60.000MHz=10mA Max
上升/下降时间 (Rise/Fall Time)		10ns Max

OUTLINE DIMENSIONS (mm)



INTERNAL CONNECTIONS

