

- 规格书 -

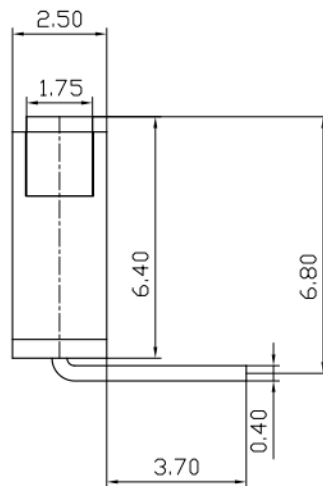
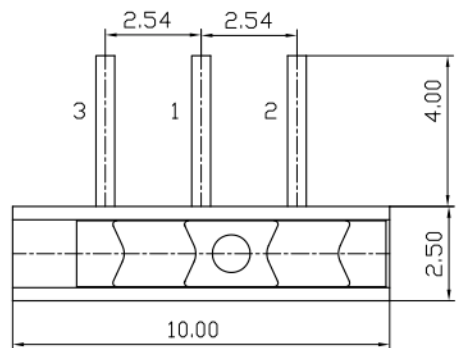
产品型号: SMI -20H

产品名称: 滑动开关

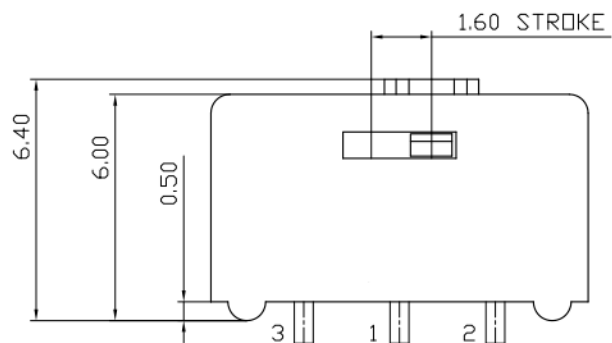
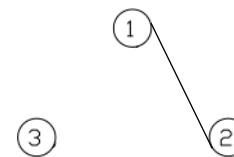
SM SWITCH CO.,LTD

Add : 江苏省无锡市新吴区弘毅路8号金帛座706室
韩国京畿道富川市三鹊路22号富川科技园103-506栋
TEL : +86-510-8591-9217
E-mail : SMSWITCH@SIMAOKJ.COM
Web : WWW.SIMAOKJ.CN

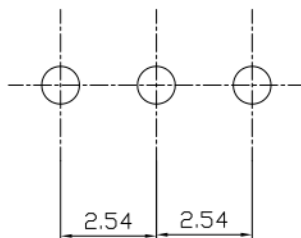
MARK	DATE	REMARKS
△		
△		



CIRCUIT



P.C.B DIMENSION



APPD	CHKD	D'SGD	TITLE.	MINI SLIDE SWITCH	
Y.D WANG	J.S KIM	H.S LEE	MODEL NO.	SMI-20H	REV A
			SM SWITCH CO., LTD.		



GENERAL SPECIFICATION

Rev. A
P:1/1

SMI SERIES

1. Electrical Characteristics.

- 1-1. Rating : AC, DC 12V 0.5A ~ 24V 0.3A. (Minimum current : 1mA)
- 1-2. Contact Resistance : Max 30m Ω
- 1-3. Insulation Resistance : Min 10,000M Ω , at dc 500V
- 1-4. Withstanding Voltage : 1min at AC 500V

2. Mechanical Characteristics.

- 2-1. operating Force : Max 800gf
- 2-2. Angle of Lever Throw
- 2-3. Insulator
 - 2-3-1. Case : Glass Fiber Reinforce Polyamide (UL94 V-0)
 - 2-3-2. Slide : Glass Fiber Reinforce Polyamide (UL94 V-0)
 - 2-3-3. Spring : Stainless Steel
 - 2-3-4. Contact : Brass
 - 2-3-5. Terminal : Brass
- 2-4. Contact & Terminal : Nickel(Ni 1.0 μ m) Gold Plate(Au 0.03 μ m)

3. Life Test.

- 3-1. Test Condition : Operations at a rate of 15-20Cycle 1minute
 - 3-1-1. with load : 1,000 Cycles
 - 3-1-2. without load : 1,000 Cycles
- 3-2. Operating Force : With + 10%, -40% of Initial Value
- 3-3. Contact Resistance : Max 30m Ω

4. Environmental Characteristics.

- 4-1. Operating Temperature : -40°C to + 85°C
- 4-2. Storage Temperature : -40°C to + 85°C
- 4-3. Humidity Test
 - 4-3-1. Test Conditions : Measured 1Hour After Exposure to Ambient after 96Hour Exposure at 40 \pm 2°C, 90-95%R.H
 - 4-3-2. Insulation Resistance : Min 10,000M Ω , at DC 500V
 - 4-3-3. Withstanding Voltage : 1min at AC 500V
- 4-4. Saline Spray Test : 24 hours

5. Solder Conditions

- 5-1. Within 5 sec. at 270°C

6. RoHS Compliant