

FEATURES

- Allows easy connection and disconnection of two wires
- Provides a secure and permanent electrical connection
- Solderless crimp connection
- Tin plating for resistance to corrosion
- Excellent conductivity

RS PRO Uninsulated Spade Connector, 6.4 x 0.8mm Tab Size, 0.5mm² to 2mm²

RS Stock No.: 488-1235



RS Professionally Approved Products bring to you professional quality parts across all product categories. Our product range has been tested by engineers and provides a comparable quality to the leading brands without paying a premium price.

Product Description

From RS PRO a high-quality open barrel crimp receptacle terminal sometimes known as a female quick disconnect. Female crimp receptacles are a type of electrical wiring connector which, when mated with a male tab connector (or male quick disconnect), provide a fast and reliable interconnect between two wires. The body of the connector is made from brass with a tin plating. The tin plating has excellent conductivity and is also resistant to corrosion.

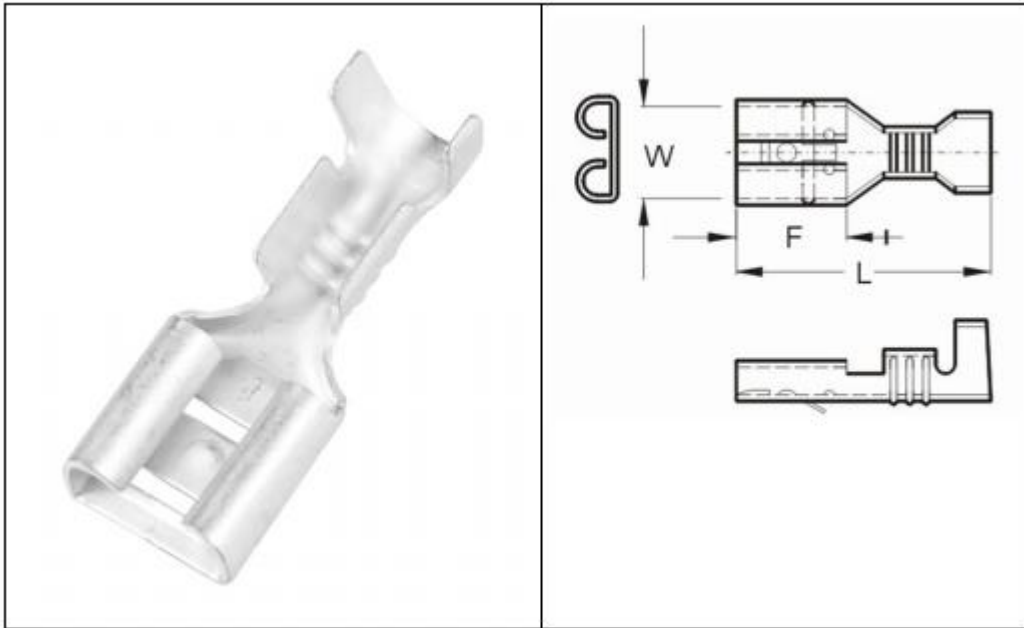
General Specifications

Insulation	Uninsulated
Termination Method	Crimp
Contact Plating	Tin
Contact Material	Brass
Applications	Industrial control systems; Industrial machines; Automotive applications; Communication equipment; Power supplies; HVAC; Domestic appliances including dishwashers, washing machines and dryers
Connector Type	Tab
Gender	Female

Mechanical Specifications

Minimum Wire Size	0.5mm ²
Maximum Wire Size	2mm ²
Tab Size	6.4mm x 0.8mm
Minimum Wire Size (AWG)	14AWG
Maximum Wire Size (AWG)	16AWG
Overall Length	19mm





ITEM NO.	MATCHING	DIMENSION inch(mm)		
		W	F	L
488-1235	.032X.250	0.260	0.283	0.748
	Ø.8X6.35	6.6	7.2	19.0