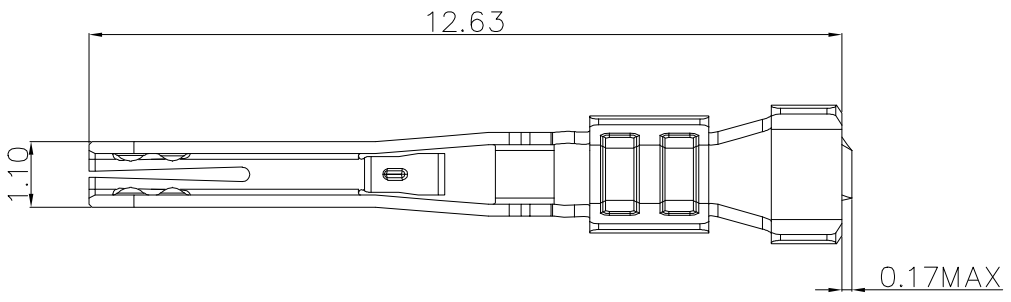
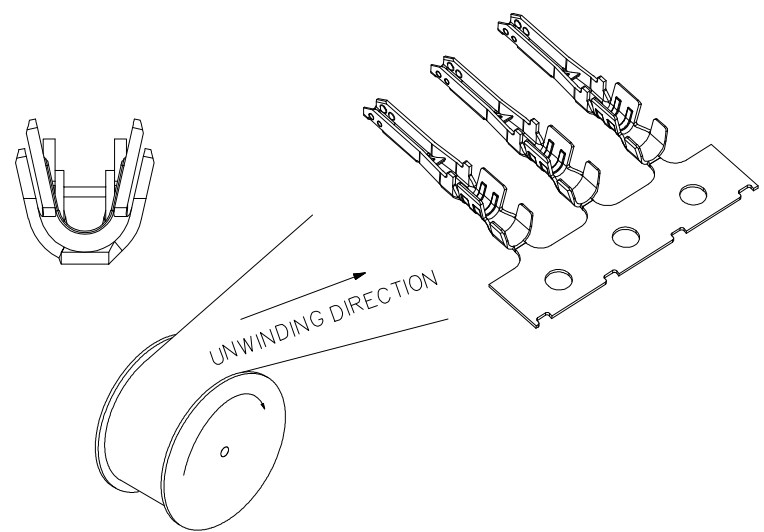
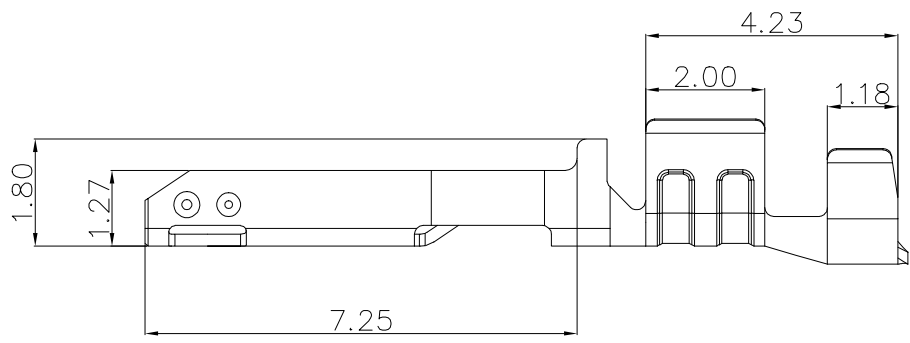


REV.	ECN NO.	LOCATION	DESCRIPTION	DATE	DESIGN
1			INITIAL RELEASE	2018.10.14	Alex_Z



NOTES:
 PRODUCT MEETS CONTROLLED SUBSTANCES SPEC.
 1. MATERIAL:
 HIGH CONDUCTIVITY COPPER ALLOY.
 2. THE COMPONENT COMPLIANT TO ROHS DIRECTIVE
 2011/65/EU AND ELV DIRECTIVE 2000/53/EC



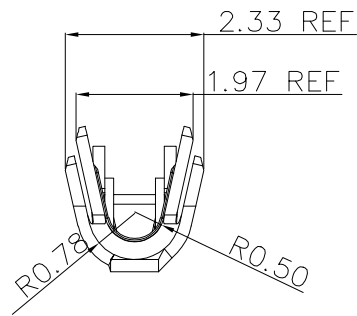
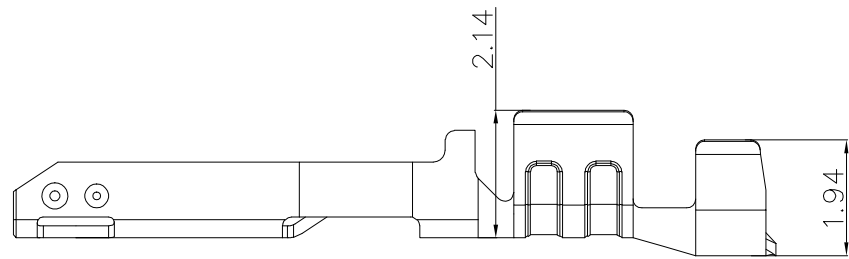
PLATING	
5704BG-004R100*R-XL	BRIGHT TIN 100u"MIN OVER ALL NICKEL 50u"MIN OVER ALL
5704BG-004R200*R-XL	GOLD PLATING 15u"ON CONTACT AREA, BRIGHT TIN 100u"MIN ON CONTACT AREA, UNDER NICKEL PLATING 50u"MIN OVERALL.
5704BG-004R300*R-XL	GOLD PLATING 30u"ON CONTACT AREA, BRIGHT TIN 100u"MIN ON CONTACT AREA, UNDER NICKEL PLATING 50u"MIN OVERALL.

DIM	TOL	DIM	TOL	DEREN SHENZHEN DEREN ELECTRONIC CO., LTD	
x.	±0.35	x.	±2'	CUSTOMER DRAWING	DATE
.x				DESIGN: Alex_Z	2018.10.14
.xx	±0.25			CHECK:	
				REV. 1	APPROVAL:
				DRAW NO. ***	
				P/N: SEE TABLE	
				SHEET: 1/2	
				SCALE: N/A UNIT: mm	

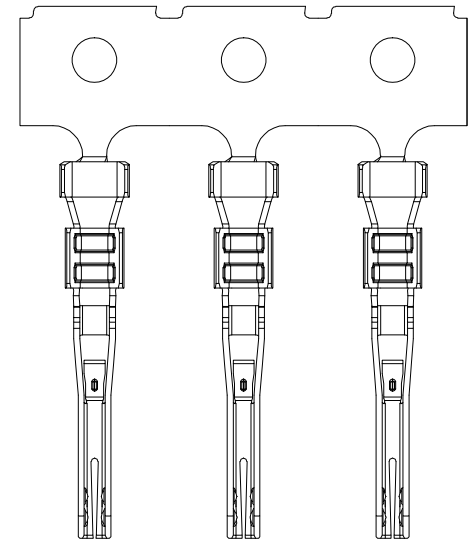
1 2 3 4 5 6 7 8

A

A



5704BG-004R*000R-XL
ONLY FOR WIRE OF AWG 20/22

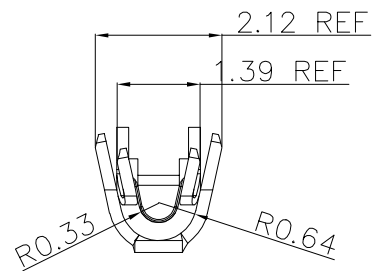
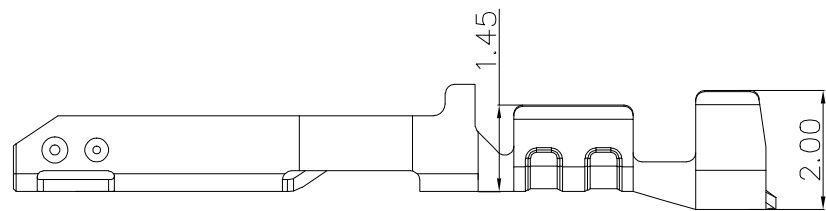


B

B

C

C



5704BG-004R*001R-XL
ONLY FOR WIRE OF AWG 24/26

(SCALE 2:1)

D

D

E

E

1 2 3 4 5 6 7 8

DIM	TOL	DIM	TOL
x.	±0.35	x.	±2'
.x			
.xx	±0.25		



DEREN
SHENZHEN DEREN ELECTRONIC CO., LTD

DRAW NO.

CUSTOMER DRAWING DATE

DESIGN: Alex_Z 2018.10.14

CHECK:

APPROVAL:

TITLE: CRIMP TERMINAL FOR NANO-FIT RECEPTACLE POWER CONNECTOR

P/N: SEE TABLE

SHEET: 2/2

SCALE: N/A UNIT: mm

