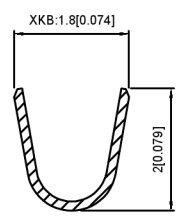


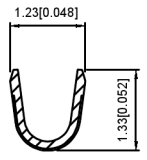
Specifications:
 规格:
Voltage rating:125V AC/DC
 额定电压: 125V AC/DC
Current rating:2A AC/DC
 额定电流: 2A AC/DC
Withstanding voltage:1000V AC/minute
 耐受电压: 1000V AC/分钟
Temperature range:-40°C-+105°C
 温度范围: -40°C-+105°C
Insulation resistance:≥1000MΩ
 绝缘电阻: ≥1000MΩ
Contact resistance:≤20mΩ
 接触电阻: ≤20mΩ
After environmental testing:≤30mΩ
 环境测试后: ≤30兆欧

X3535 T X - P SN X - X
 ① ② ③ ④ ⑤ ⑥ ⑦

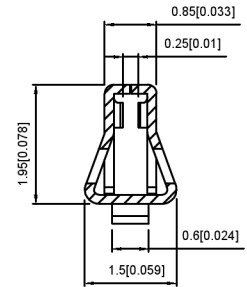
1. Series Number
2. Category: T-terminal
3. Shape: Blank-Ordinary
4. Material: P-Phosphor bronze
5. Plating style: SN-Bright tin plating
6. Plating method: Blank-Stamping before plating
7. Mold No/Mark/Special No:



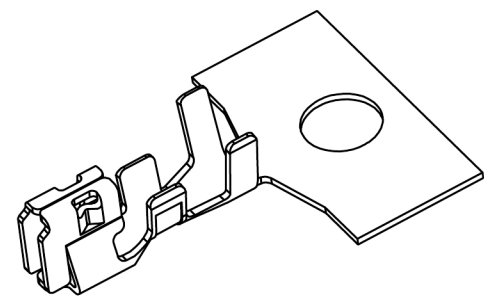
SECTION:A-A
SCALE:1:1



SECTION:B-B
SCALE:1:1



SECTION:C-C
SCALE:1:1



X3535T-PSN	Phosphor Bronze	AWG#24-30	1.40mm(Max)	Stamping Before Plating:30u"MIN.Ni ;70u"MIN.Sn	X3535H
PART NO	Material	Wire Rang	Insulation OD	Finish	Suitable XKB Housing

DSND		DATE		SCALE: N/A	MODEL TYPE: Wire to board connector
DWN		DATE		VIEW:	PART NO.: 2.00mm Crimp Style Connectors
CHKD		DATE		UNIT: mm/in	DWG NO.: X3535T-PSN
APPD		DATE		SIZE: A4	

广东星坤科技股份有限公司

Δx		日期	
Δx		日期	
Δx		日期	
MARK		DESCRIPTION	

文件工程章

REVISIONS	DATE	REVISED	APPROVED	UNSPECIFIED TOLERANCES