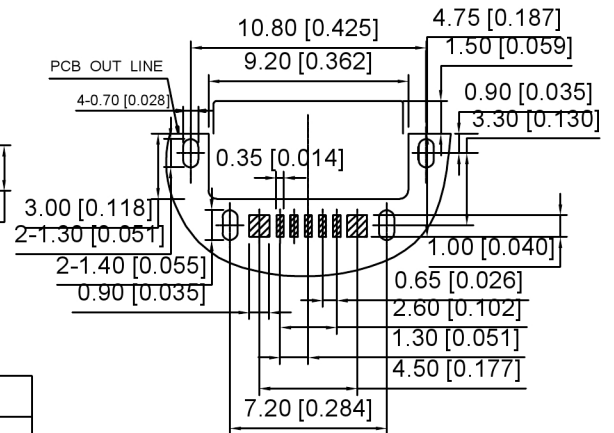
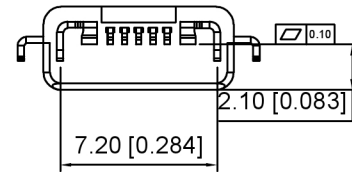
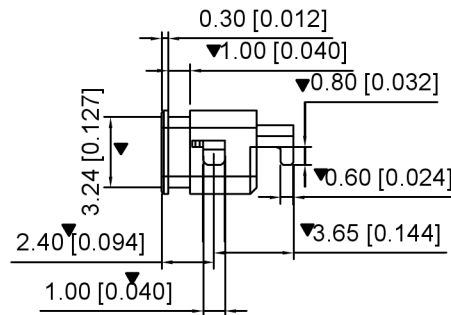
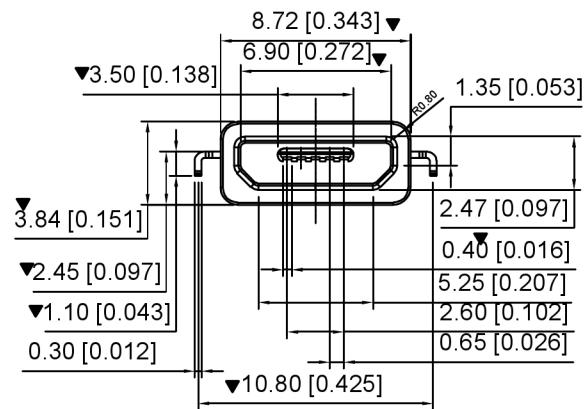


Notes:

1. Dimension shall be interpreted per ASME Y14.5M1994.
2. Dimension marked  $\nabla$  &  $\blacktriangledown$  should be checked by Q.C. and process, engineers and  $\blacktriangledown$  should also check the CPK data.

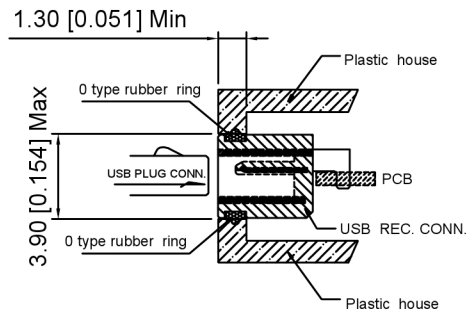
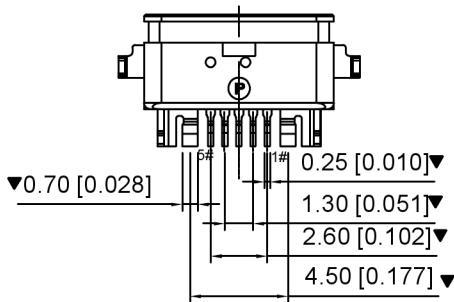
Specification

1. Current Rating: 1.8 AMP
2. Voltage Rating: 30V AC,DC
3. Dielectric Strength: 500V AC RMS for 1 minute.
4. Contact Resistance: 30m  $\Omega$ Max.
5. Insulator Resistance: 500M  $\Omega$ Min. AT 250V DC.
6. Mating/Unmating cycles: 5000cycles
7. Temperature: -30°C to +80°C



P.C.B LAYOUT

| Contact Number | Signal Name | Remarks           |
|----------------|-------------|-------------------|
| 1#             | VBUS        | Power             |
| 2#             | D-          | Date-             |
| 3#             | D+          | Date+             |
| 4#             | ID          | Reserve or Ground |
| 5#             | GND         | Ground            |



| ITEM | PART NAME | QTY | MATERIAL                  | FINISHING                  |
|------|-----------|-----|---------------------------|----------------------------|
| ①    | Shell     | 1   | SUS304R-1/2H              | Ni Plating T=0.3mm (3u)    |
| ②    | Terminal  | 5   | Phosphor Bronze C5191R-EH | Au/Ni Plating T=0.2mm (1u) |
| ③    | Housing   | 1   | HI-TEMP.PLASIC UL 94V-0   | BLACK                      |

广东星坤科技股份有限公司

|      |             |      |
|------|-------------|------|
| Δ*   |             |      |
| 生Δ*  |             |      |
| 表Δ*  |             |      |
| MARK | DESCRIPTION | DATE |

| REVISIONS   | DATE | REVISED | APPROVED | UNSPECIFIED TOLERANCES |
|-------------|------|---------|----------|------------------------|
| ANGLAR      |      |         |          | ±5°                    |
| L ≤ 4       |      |         |          | ±0.2                   |
| 4 < L ≤ 16  |      |         |          | ±0.3                   |
| 16 < L ≤ 63 |      |         |          | ±0.4                   |
| L > 63      |      |         |          | ±0.5                   |

|      |             |                       |
|------|-------------|-----------------------|
| DSND | SCALE: N/A  | MODEL TYPE: MICRO USB |
| DWN  | VIEW:       | PART NO.:             |
| CHKD | UNIT: mm/in | DWG NO.:              |
| APPD | SIZE: A4    | U-E-M1SS-W-2          |



XKB INDUSTRIAL PRECISION CO., LIMITED

|        |       |          |
|--------|-------|----------|
| WEIGHT | SHEET | REVISION |
|        | 1/1   | A0       |

文件工程章