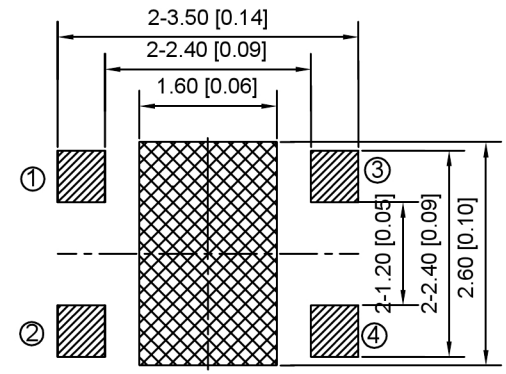


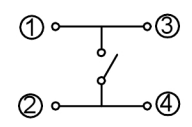
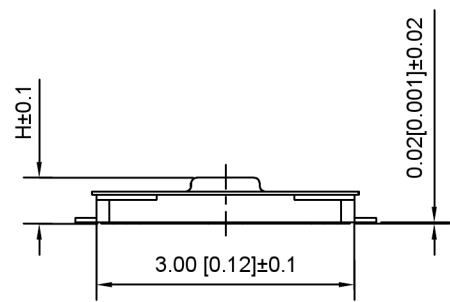
RECOMMENDED P.C.B.-LAYOUT

Specifications  
 Rating: DC 12V/50mA  
 Contact Resistance: 500mΩ max  
 Insulation resistance: DC100V 60S 100MΩ min  
 Dielectric strength: AC250V(50~60HZ)60S min  
 Operation force: 160±30gf 180±30gf 240±50gf  
 Operating Life: 300,000cycles 100,00cycles  
 Travels: 0.13±0.05mm



LAND PATTERN PLAN

PAPT NO	TS-2630-X
Operating Force	B:160gf C:260gf
Height	H:0.65



CIRCUIT DIAGRAM

ITEM	PART NAME	QUANTITY	MATERIAL	FINISH
5	KNOB	1	POLYAMIDE	BLACK
4	FILM	1	POLYAMIDE	WHITE
3	DOME	2	STAINLESS STEEL	Ag-PLATED
2	HOUSING	1	POLYAMIDE	BLACK
1	TERMINAL	1	PHOSPHOR BRONZE	Ag-PLATED

广东星坤科技股份有限公司

Δx	日期
Δx	日期
Δx	日期
MARK	DESCRIPTION

文件工程章

REVISIONS	DATE	REVISED	APPROVED	UNSPECIFIED TOLERANCES
ANGLAR				±5°
L ≤ 4				±0.2
4 < L ≤ 16				±0.3
16 < L ≤ 63				±0.4
L > 63				±0.5



XKB INDUSTRIAL PRECISION CO., LIMITED

DSND	SCALE: N/A	MODEL TYPE: TACT SWITCH
DWN	VIEW:	PART NO.: TS-2630-X
CHKD	UNIT: mm/in	DWG NO.:
APPD	SIZE: A4	
	WEIGHT	SHEET
		1/1
	REVISIC	A0