



REV.	ECN NO OR DESCRIPTION	REVISED	DATE

A

A

B

B

C

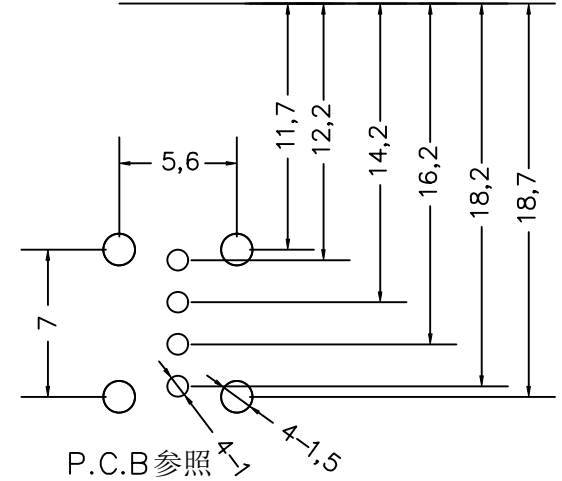
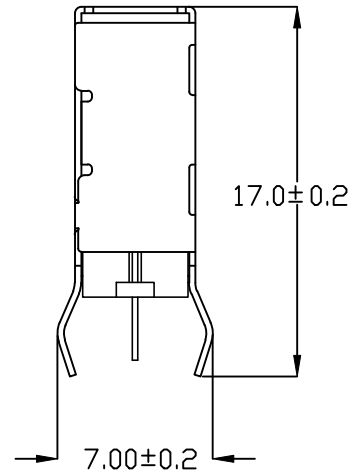
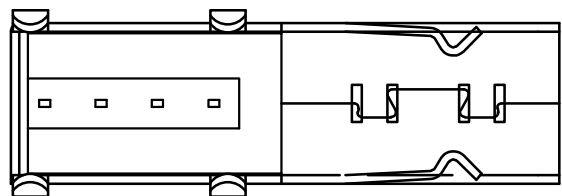
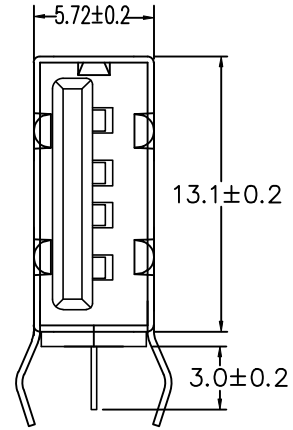
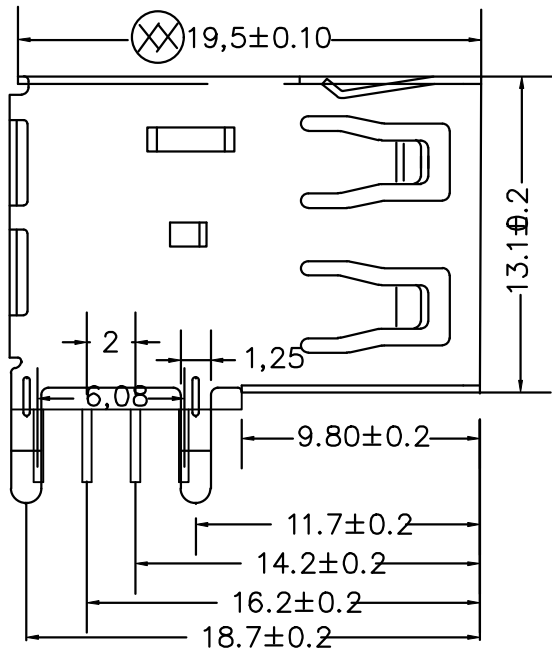
C

D

D

NOTES:

1. MATERIAL SPECIFICATION
 - 1) INSULATION MATERIAL THERMOPLASTIC.
 - 2) SHELL: COPPER ALLOY/SPCC, T: 0.30mm
PLATING: NICKEL
 - 3) TERMINAL: COPPER ALLOY, T: 0.25mm
PLATING: GOLD/TIN PLATED.
 2. ELECTRICAL CHARACTERISTIC:
 - 1) INSULATION RESISTANCE: 1000MΩ MIN.
 - 2) CONTACT RESISTANCE: 30mΩ MAX.
 - 3) WITHSTANDING VOLTAGE: 500V AC.
 3. MECHANICAL CHARACTERISTICS:
 - 1) INSERTION FORCE: 3.57Kgf MAX.
 - 2) EXTRACTION FORCE: 1.02Kgf MIN.
- ORDERING INFORMATION



UNLESS OTHERWISE SPECIFIED TOLERANCES		东莞市汉博电子科技有限公司 DONGGUAN HANBO TECHNOLOGY CO., LTD			
DECIMALS:	ANGLES:	TITLE	USB 侧插长体19.6无卷边		
X : ±0.30	X : ±2°	DWN	xiong	PART NO. USB-U263-BWS	
X.X : ±0.20	X.X : ±1°	CHKD	lee	SCALE: 1:1	UNIT: mm
X.XX : ±0.10		APVD	wang	SIZE: A4	SHEET: 10F 1
		REV: A4			
CUSTOMER COPY					

1

2

3

4

5

6