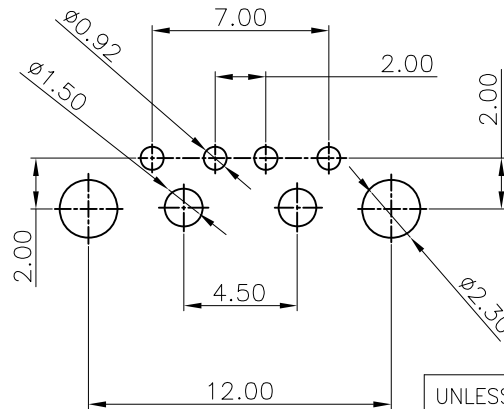
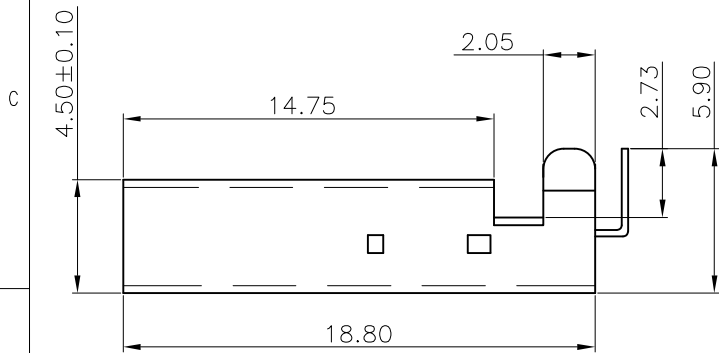
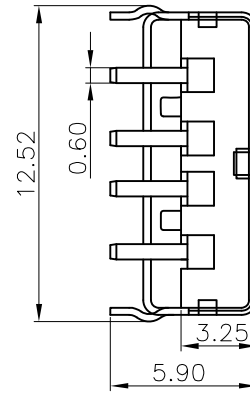
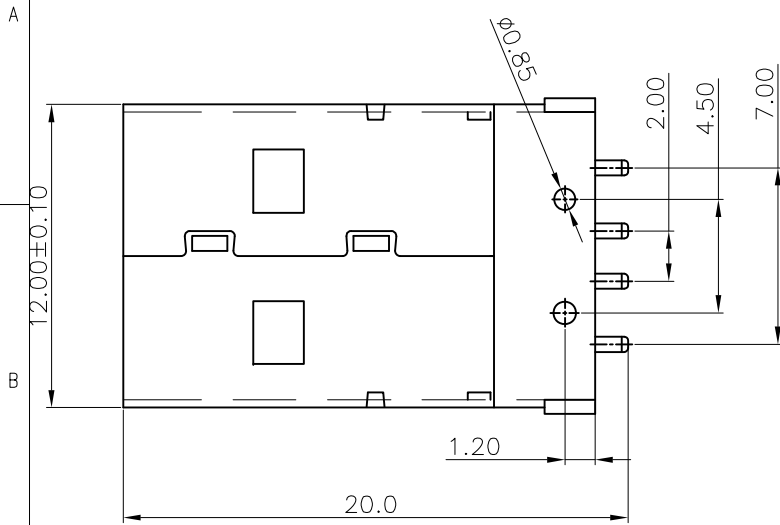




REV.	ECN NO OR DESCRIPTION	REVISED	DATE



NOTES:

- 1.MATERIAL:
  - 1.1 Housing:thermoplastic plastics
  - 1.2 terminals:Copper Alloy  
Gold plated in contact area:  
Tin plated in termination  
Nickel Plated overall
  - 1.3 Shell:Steel&Copper Alloy  
Nickel Plated overall
- 2.ELECTRICAL CHARACTERISTICS:
  - 2.1 Rating Current :1.5 Ampere
  - 2.2 Rating Voltage :30 V Max
  - 2.3 Contact Resistance:30 Milli ohms
  - 2.4 Insulation Resistance:1000 Mega ohms Min.
- 3.MECHANICAL CHARACTERISTICS:
  - 3.1 Connector Mating force: 35N MAX(3.57Kgf)
  - 3.2 Connector Unmating force:10N min(1.02Kgf)
  - 3.3 Durability:1500Cycles.
- 4.ENVIRONMENT CHARACTERISTICS:
  - 4.1 Operating temperature:-0°C to +50°C
  - 4.2 Storage temperature:-20°C to +60°C

PCB LAYOUT

UNLESS OTHERWISE SPECIFIED TOLERANCES

DECIMALS: ANGLES:  
 X :±0.35 X :±2°  
 X.X :±0.25 X.X :±1°  
 X.XX :±0.15



东莞市汉博电子科技有限公司  
DONGGUAN HANBO TECHNOLOGY CO., LTD

TITLE	A公90度弯脚有柱PBT			
DWN	xiong	PART NO. USB-U202-BDS		
CHKD	lee	SCALE:1:1	UNIT: mm	
APVD	wang	SIZE: A4	SHEET:1OF 1	REV: A4

CUSTOMER COPY