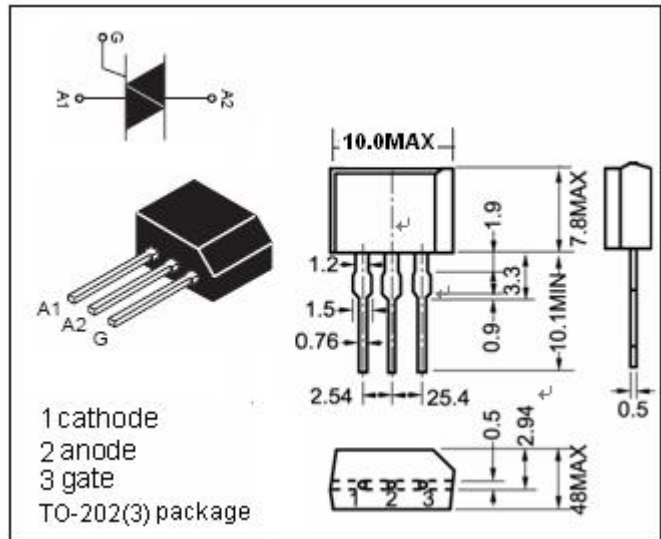


APPLICATIONS

- Designed for general purpose AC switching applications such as touch light dimmers, fan controllers, HID lamp ignitors etc.
- Minimum Lot-to-Lot variations for robust device performance and reliable operation


ABSOLUTE MAXIMUM RATINGS(T_a=25°C)

SYMBOL	PARAMETER	MIN	UNIT
V _{DRM}	Repetitive peak off-state voltage	600	V
V _{RRM}	Repetitive peak reverse voltage	600	V
I _{T(RMS)}	RMS On-state current (full sine wave)	4	A
I _{TSM}	Non-repetitive surge peak on-state current t= 20ms	20	A
P _{G(AV)}	Average gate power dissipation T _j = 125°C	0.2	W
T _j	Junction temperature	125	
T _{stg}	Storage temperature	-40 to + 150	°C

ELECTRICAL CHARACTERISTICS (T_c=25°C unless otherwise specified)

SYMBOL	PARAMETER	CONDITIONS	MIN	MAX	UNIT
I _{RRM}	Repetitive peak reverse current	V _{RM} =V _{RRM} , R _{GK} =1k Ω V _{RM} =V _{RRM} , R _{GK} =1k Ω, T _j =125°C		5 500	μ A
I _{DRM}	Repetitive peak off-state current	V _{DM} =V _{DRM} , R _{GK} =1k Ω V _{DM} =V _{DRM} , R _{GK} =1k Ω, T _j =125°C		5 500	μ A
V _{TM}	On-state voltage	I _{TM} = 5.5A		2.0	V
I _{GT}	Gate-trigger current all quadrant	V _{DM} =12V; R _L =30 Ω		5	mA
V _{GT}	Gate-trigger voltage all quadrant	V _{DM} =12V; R _L =30 Ω		1.3	V
I _H	Holding current	I _T = 50mA		5	mA

Notice:

ISC reserves the rights to make changes of the content herein the datasheet at any time without notification. The information contained herein is presented only as a guide for the applications of our products.

ISC products are intended for usage in general electronic equipment. The products are not designed for use in equipment which require specialized quality and/or reliability, or in equipment which could have applications in hazardous environments, aerospace industry, or medical field. Please contact us if you intend our products to be used in these special applications.

ISC makes no warranty or guarantee regarding the suitability of its products for any particular purpose, nor does ISC assume any liability arising from the application or use of any products, and specifically disclaims any and all liability, including without limitation special, consequential or incidental damages.

