

DESCRIPTION

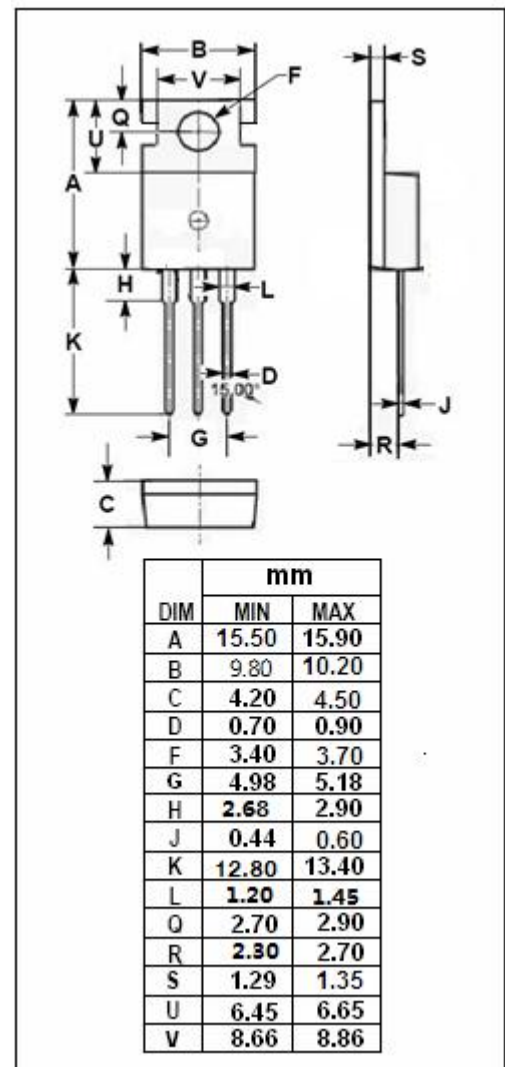
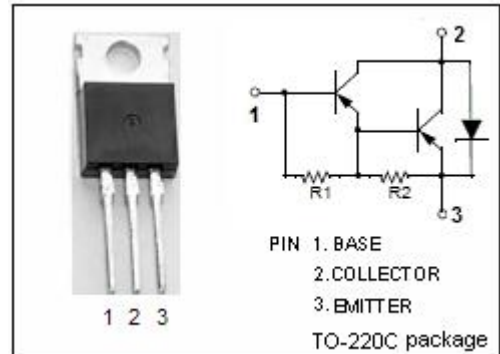
- High DC Current Gain-
: $h_{FE} = 2000(\text{Min})@ I_C = -3\text{A}$
- Collector-Emitter Sustaining Voltage-
: $V_{CEO(\text{SUS})} = -100\text{V}(\text{Min})$
- Low Collector-Emitter Saturation Voltage-
: $V_{CE(\text{sat})} = -1.5\text{V}(\text{Max})@ I_C = -3\text{A}$
- Minimum Lot-to-Lot variations for robust device performance and reliable operation

APPLICATIONS

- Designed for use in low-frequency power amplifiers and low-speed switching applications.
- Ideal for use in direct drive from IC output for magnet drivers such as terminal equipment or cash registers.

ABSOLUTE MAXIMUM RATINGS (Ta=25°C)

SYMBOL	PARAMETER	VALUE	UNIT
V_{CBO}	Collector-Base Voltage	-100	V
V_{CEO}	Collector-Emitter Voltage	-100	V
V_{EBO}	Emitter-Base Voltage	-7	V
I_C	Collector Current-Continuous	-5	A
I_{CM}	Collector Current-Peak	-8	A
I_B	Base Current-DC	-0.5	A
P_C	Collector Power Dissipation $T_C = 25^\circ\text{C}$	30	W
	Collector Power Dissipation $T_a = 25^\circ\text{C}$	1.5	
T_j	Junction Temperature	150	°C
T_{stg}	Storage Temperature Range	-55~150	°C



isc Silicon PNP Darlington Power Transistor
KSB601
ELECTRICAL CHARACTERISTICS

 T_c=25°C unless otherwise specified

SYMBOL	PARAMETER	CONDITIONS	MIN	TYP.	MAX	UNIT
V _{CE(sat)}	Collector-Emitter Saturation Voltage	I _c = -3A , I _B = -3mA			-1.5	V
V _{BE(sat)}	Base-Emitter Saturation Voltage	I _c = -3A , I _B = -3mA			-2.0	V
I _{CBO}	Collector Cutoff Current	V _{CB} = -100V, I _E = 0			-10	μ A
I _{EBO}	Emitter Cutoff Current	V _{EB} = -5V; I _C = 0			-3	mA
h _{FE-1}	DC Current Gain	I _c = -3A ; V _{CE} = -2V	2000		15000	
h _{FE-2}	DC Current Gain	I _c = -5A ; V _{CE} = -2V	500			

Switching times

t _{on}	Turn-on Time	R _L = 17 Ω , V _{CC} ≈ -50V I _c = -3A; I _{B1} = -I _{B2} = -3mA		0.5		μ s
t _{stg}	Storage Time			1.0		μ s
t _f	Fall Time			1.0		μ s

◆ h_{FE-1} Classifications

R	O	Y
2000-5000	3000-7000	5000-15000

Notice:

ISC reserves the rights to make changes of the content herein the datasheet at any time without notification. The information contained herein is presented only as a guide for the applications of our products.

ISC products are intended for usage in general electronic equipment. The products are not designed for use in equipment which require specialized quality and/or reliability, or in equipment which could have applications in hazardous environments, aerospace industry, or medical field. Please contact us if you intend our products to be used in these special applications.

ISC makes no warranty or guarantee regarding the suitability of its products for any particular purpose, nor does ISC assume any liability arising from the application or use of any products, and specifically disclaims any and all liability, including without limitation special, consequential or incidental damages.