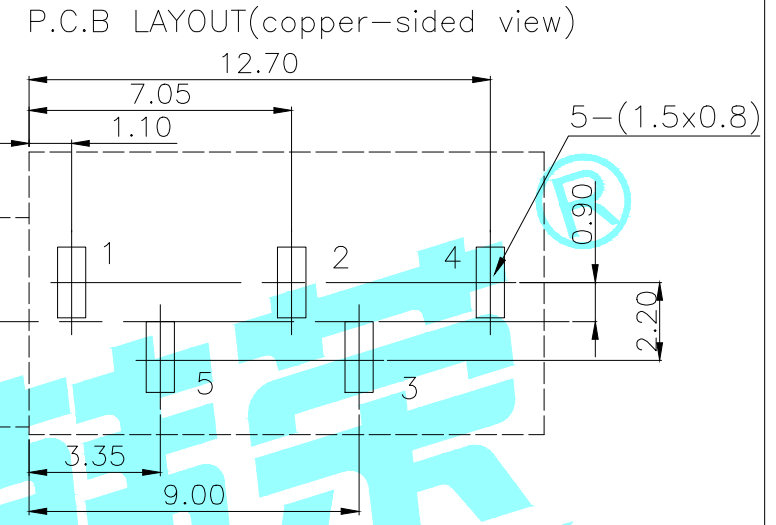
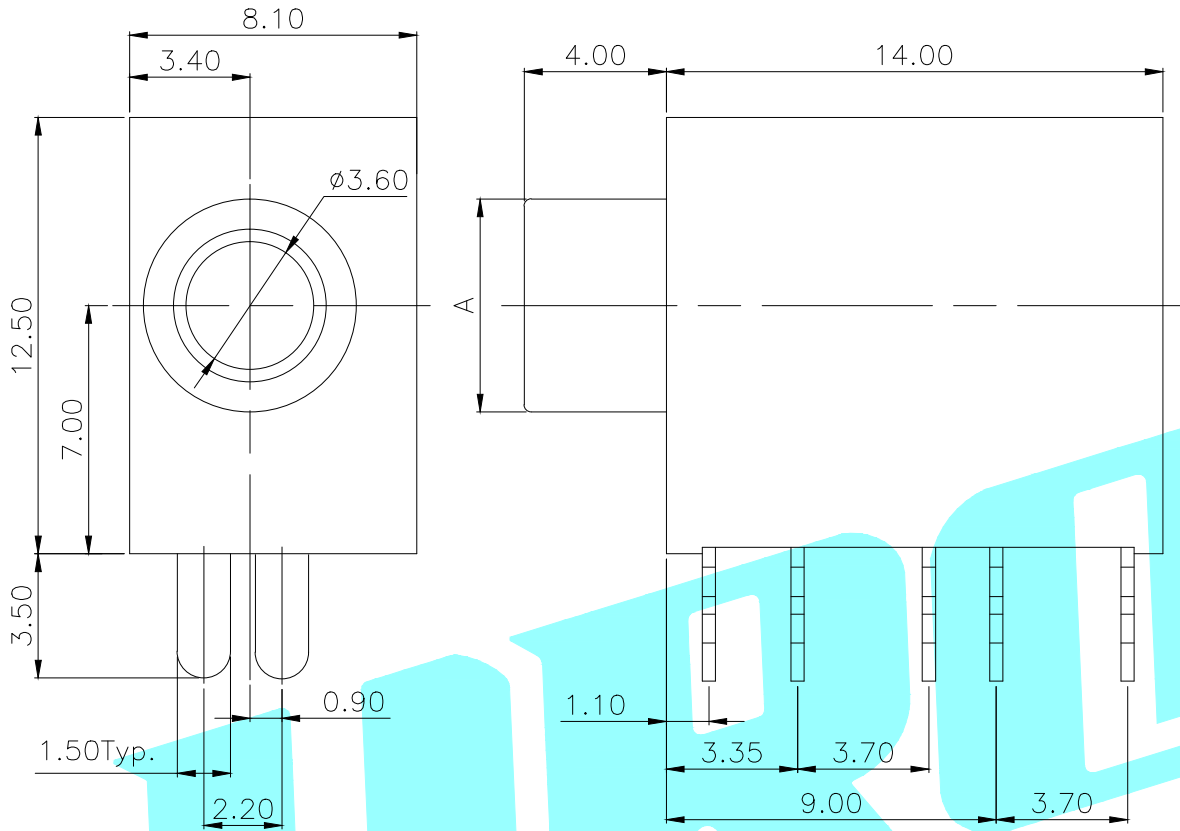


ROHS



Rating:0.5A 30V DC
 Contact Resistance:100 mΩ Max.
 Operating temperature:-20℃~70℃
 Operating force:3~20N
 Operating Life:5,000cycles

Model No.	A=φ6	PJ-3250-A	PJ-3250-B	PJ-3250-C	PJ-3250-D
	A=M6xP0.5	PJ-3250M-A	PJ-3250M-B	PJ-3250M-C	PJ-3250M-D
Schematic					

②	Terminal	5	Phosphor bronze	Au Plating		
①	Housing	1	Nylon	Black		
ITEM	PART NAME	TER'NO.	QTY.	MATERIAL	FINISHING	REMARK

APPROVALS		DATE		ELECTRONICS CO.,LTD PHONE JACKES PART NO. PJ-3250		
DRAWN	J.X.Zhang	2013/11/11				
CHECKED				UNIT: mm	SCALE: 1:1	PROJ:
APPROVALS				DRAWING NO.		SHEET 1 OF 1
TOLERANCES ARE		30~以上	±0.30	ANGLE	±2'	
		10~30	±0.20			
		5~10	±0.15			
		~ 5	±0.10			

ECN NO.	REV.	DATE.	DESCRIPTION.	CHANGE.	CHECK.	APPRO.
	A		NEW			