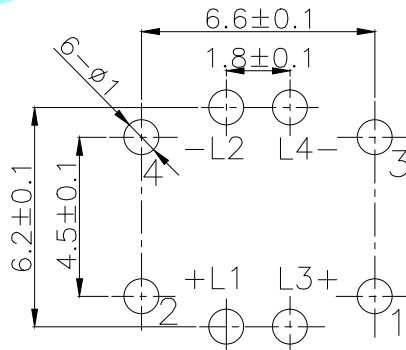
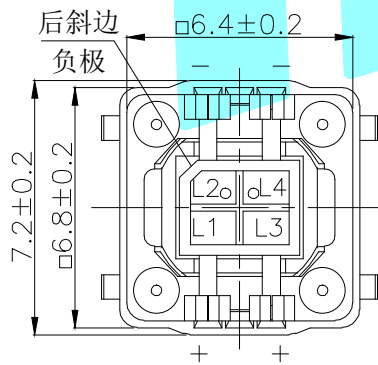
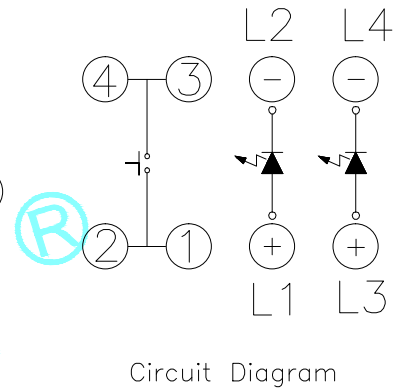
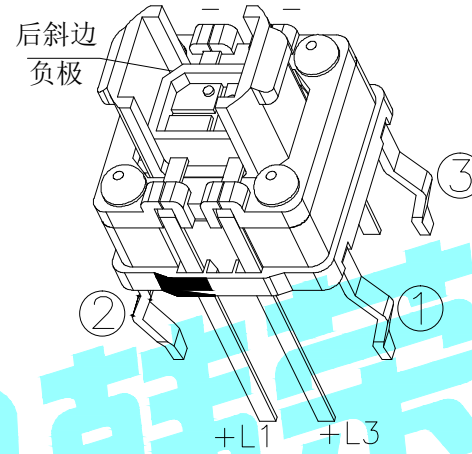
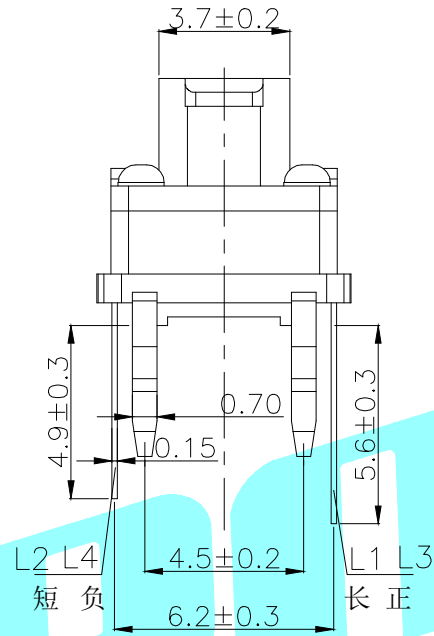
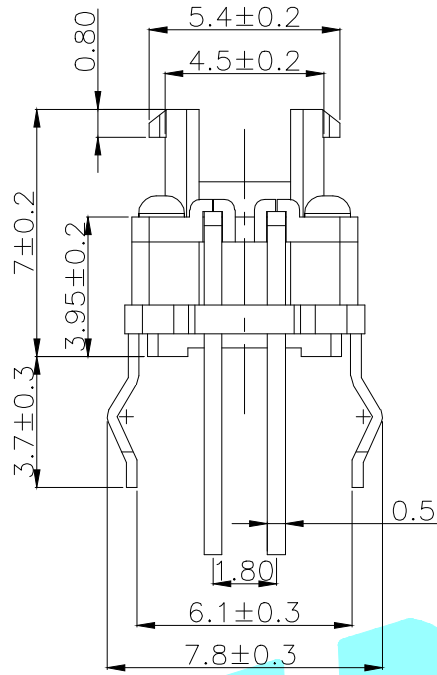


ROHS



PCBLayout(Pattern Side)

LED colour(LED颜色)	Part No. 料号
Red(红色)/Blue(蓝色)	K6-6151D01
Red(红色)/Green(绿色)	K6-6151D02

②	Terminal	3	Phosphor bronze	Au Plating				
①	Housing	1	Nylon	Black				
ITEM	PART NAME	TER'NO.	QTY.	MATERIAL	FINISHING	REMARK		
APPROVALS		DATE						
DRAWN	J.X.Zhang	2013/11/11					TITLE:	LED Tact Switch
CHECKED							PART NO.	K6-6151D
APPROVALS				TOLERANCES ARE	30~以上 ±0.30 10~30 ±0.20 5~10 ±0.15 ~ 5 ±0.10	ANGLE ±2'		
ECN NO.	REV.	DATE.	DESCRIPTION.	CHANGE.	CHECK.	APPRO.		
	A		NEW					

ECN NO.	REV.	DATE.	DESCRIPTION.	CHANGE.	CHECK.	APPRO.
	A		NEW			