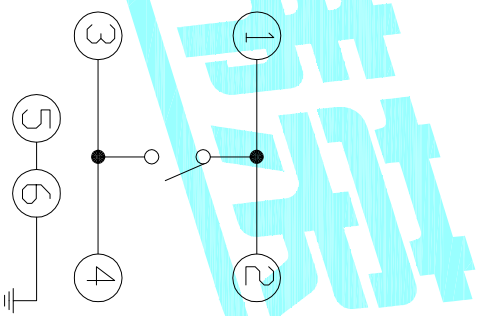
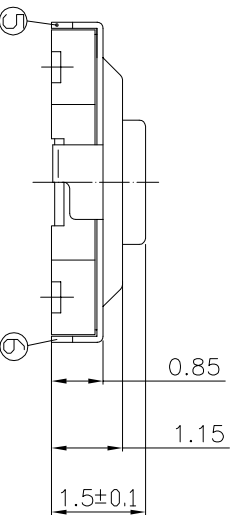
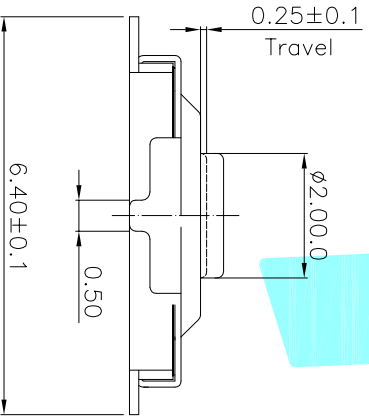
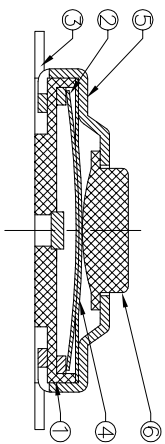
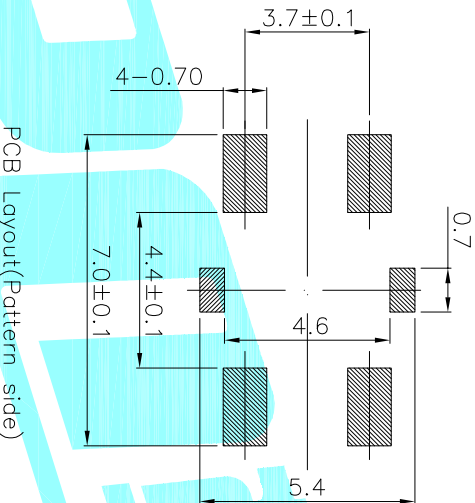
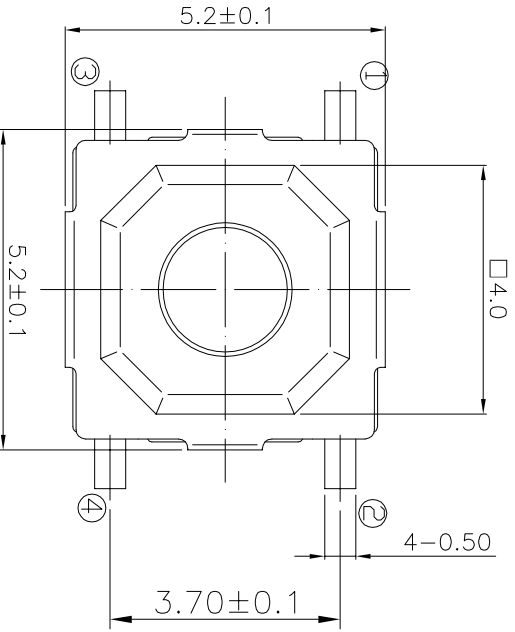


Typical Specifications :  
 1. Rating : DC 12V 50mA  
 2. Life:200,000 Cycles Min.



Circuit Diagram



NO.1	
PART NO.	H
A	1.50
B	1.60
C	1.70
D	2.00
E	2.50
F	3.00
G	4.30
J	3.50

NO.2	
PART NO.	vigor
3	180±30
4	250±30

NO.3-NO.4	
PART NO.	NOTE
01~99	SERIAL NUMBER

⑥	Knob	—	1	Brass	Yellow	—
⑤	Cover	—	1	SUS	Natural	—
④	Dust Cover	—	1	Kapton Film	Yellow	—
③	Terminal	—	4	Phosphor Bronze	Plating silver	—
②	Contact	—	1	F.Ag/SUS	Natural	—
①	Base	—	1	Nylon	Black	—

APPROVALS	DATE	TITLE:
DRAWN xu qi feng	2018/08/01	TACT SWITCHS
CHECKED		
APPROVALS		

ELECTRONICS CO.,LTD		
---------------------	--	--

ECN NO.	REV.	DATE.	DESCRIPTION.	CHANGE.	CHECK.	APPRO.																
	A		NEW																			
<table border="1"> <thead> <tr> <th>TOLERANCES ARE</th> <th>30~40</th> <th>40~50</th> <th>50~60</th> <th>60~70</th> <th>70~80</th> <th>80~90</th> <th>90~100</th> </tr> </thead> <tbody> <tr> <td>~5</td> <td>±0.30</td> <td>±0.20</td> <td>±0.15</td> <td>±0.10</td> <td>±0.05</td> <td>±0.05</td> <td>±0.05</td> </tr> </tbody> </table>							TOLERANCES ARE	30~40	40~50	50~60	60~70	70~80	80~90	90~100	~5	±0.30	±0.20	±0.15	±0.10	±0.05	±0.05	±0.05
TOLERANCES ARE	30~40	40~50	50~60	60~70	70~80	80~90	90~100															
~5	±0.30	±0.20	±0.15	±0.10	±0.05	±0.05	±0.05															
PART NO.		K2-1187SH-□□SW-□□		SCALE: 1:1		PROJ:																
DRAWING NO.						SHEET 1 OF 1																