

Circuit diagram

PCB Layout(Pattern Side)

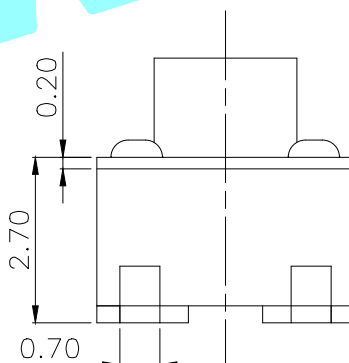
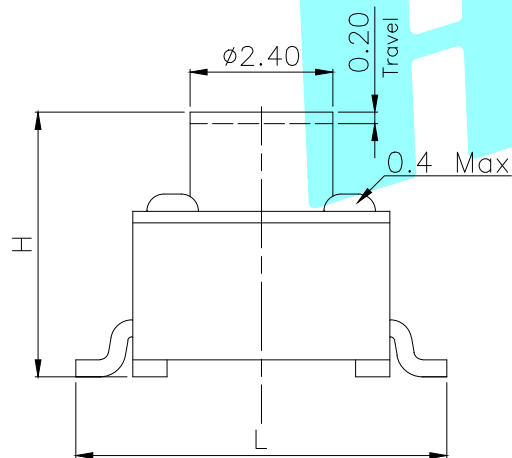
NO.1	
PART NO	H
A	3.8
B	4.3
C	4.8
D	5
E	5.5
F	6
G	6.5
H	7
I	7.5
J	8
K	8.5
L	9
M	10

NO.2	
PART NO	vigor
1	90±30
2	130±30
3	180±30
4	250±30
5	350±50

NO.4		
PART NO	L	L1
A	7.0	8.0

NO.3	
PART NO	MATERIAL/QTY
S	SUS/1PC
C	C5210/1PC
D	SUS/2PCS
F	C5210/2PCS

NO.5-NO.6	
PART NO	NOTE
01~99	SERIAL NUMBER



ITEM	PART NAME	TER'NO.	QTY.	MATERIAL	FINISHING	REMARK
⑤	Terminal	—	4	Brass(0.30t)	Plating silver	—
④	Contact	—	1	F.Ag/SUS	—	—
③	Base	—	1	PA46	Black	—
②	Cover	—	1	SUS	—	—
①	Keystoke	—	1	PA46	Black	—

APPROVALS		DATE	HRO 韓榮® ELECTRONICS CO.,LTD			
DRAWN	J.X.Zhang	2013/6/24	TITLE:	TACT SWITCHS		
CHECKED			PART NO.	K2-1109SP-□□□□-□□		
APPROVALS			UNIT: mm	SCALE: 1:1	PROJ:	
TOLERANCES ARE		30~以上 ±0.30 10~30 ±0.20 5~10 ±0.15 ~ 5 ±0.10	ANGLE	±2'	DRAWING NO.	SHEET 1 OF 1

ECN NO.	REV	DATE.	DESCRIPTION.	CHANGE.	CHECK.	APPRO.
—	B	—		—	—	—
—	A	—	NEW	—	—	—