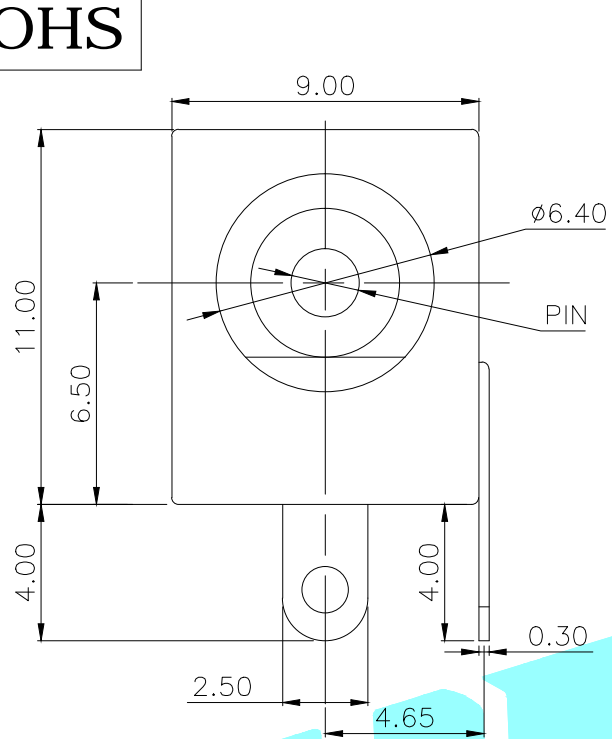
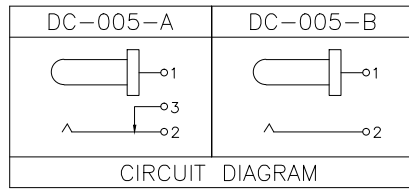
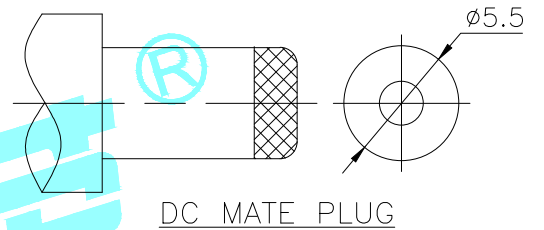
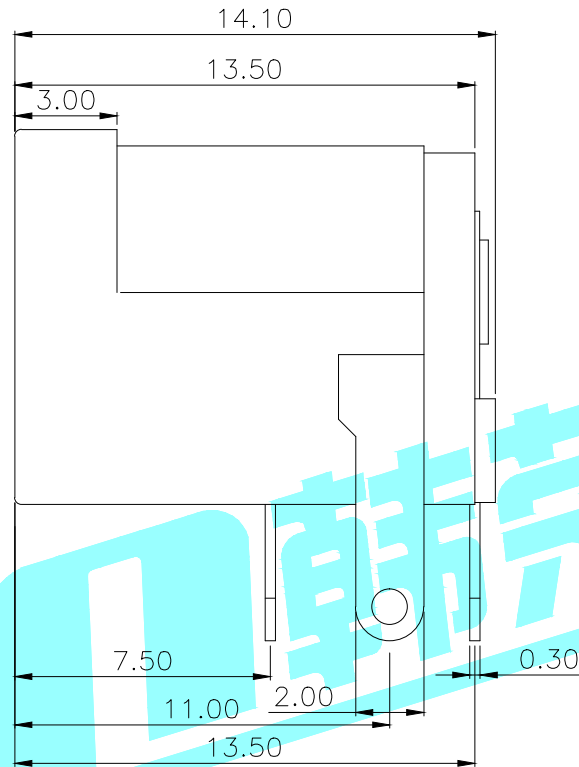
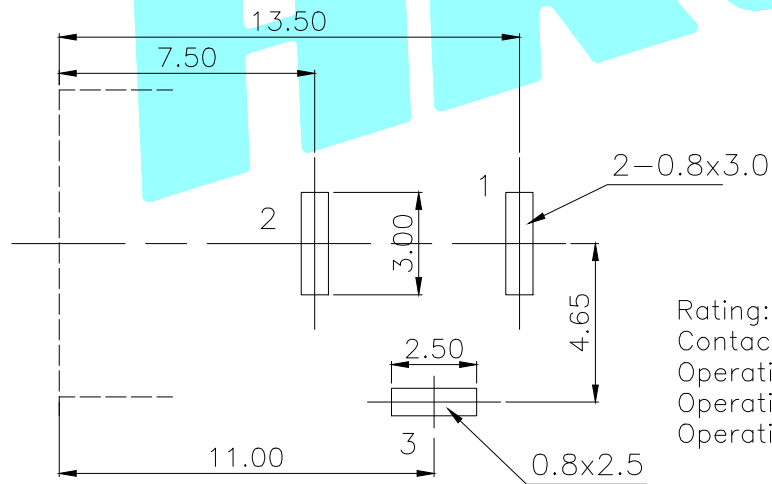


ROHS



P.C.B LAYOUT(Copper-side view)



Model No.	DC-005-20A	DC-005-25A
PIN	$\phi 2.0$	$\phi 2.5$

Rating:0.5A 30V DC
 Contact Resistance:100 m Ω Max.
 Operating temperature:-25 $^{\circ}$ C~80 $^{\circ}$ C
 Operating force:3-20N
 Operating Life:5,000cycles

②	Terminal	—	3	Phosphor bronze	Ag Plating	—
①	Housing	—	1	Nylon	Black	—
ITEM	PART NAME	TER'NO.	QTY.	MATERIAL	FINISHING	REMARK
APPROVALS			DATE	ELECTRONICS CO.,LTD PHONE JACKES		
DRAWN	J.X.Zhang	2013/11/11				
APPROVALS				UNIT: mm	SCALE: 1:1	PROJ:
TOLERANCES ARE			30~以上 ± 0.30 10~30 ± 0.20 5~10 ± 0.15 ~ 5 ± 0.10	ANGLE	DRAWING NO.	SHEET 1 OF 1

ECN NO.	REV.	DATE.	DESCRIPTION.	CHANGE.	CHECK.	APPRO.
	A		NEW			