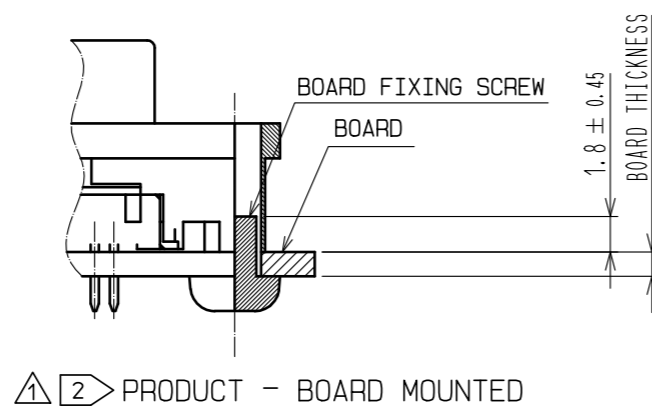
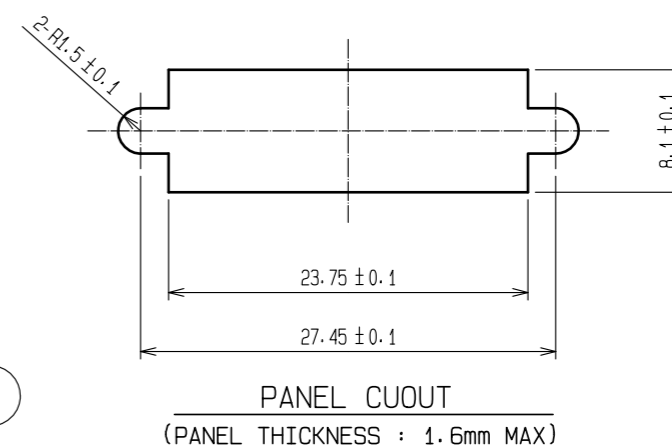
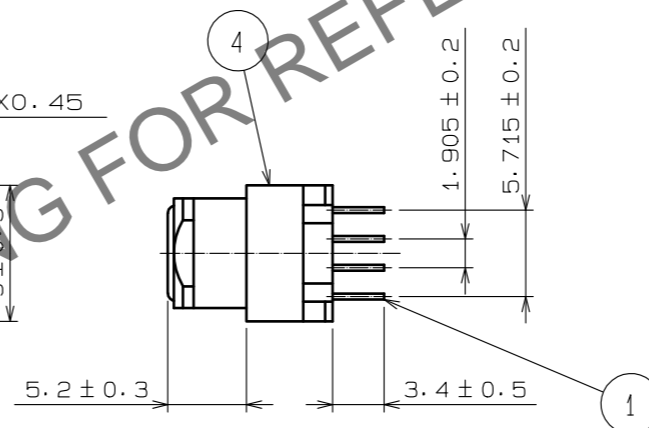
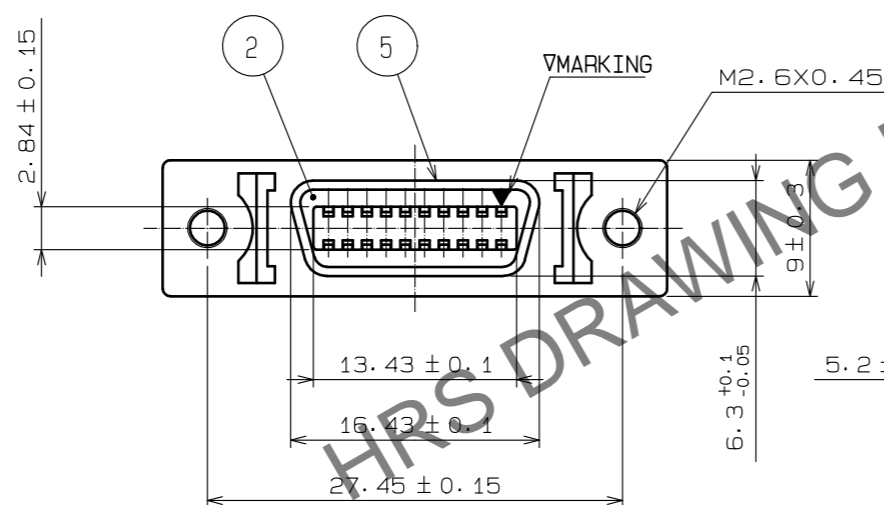
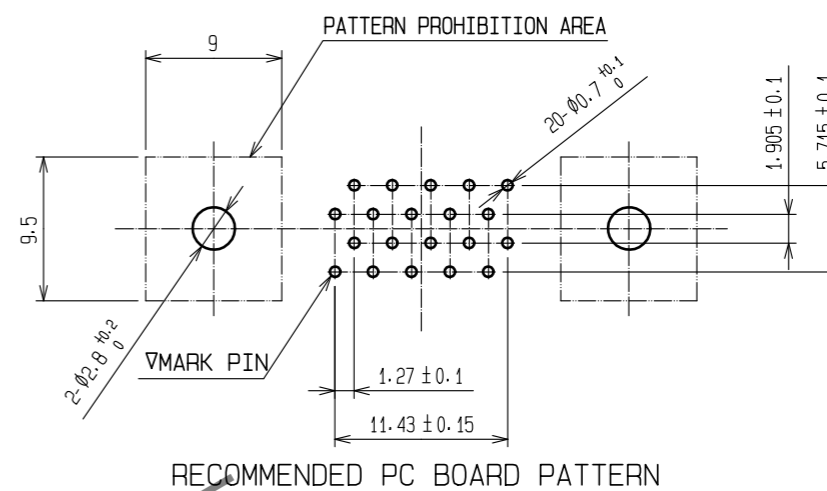
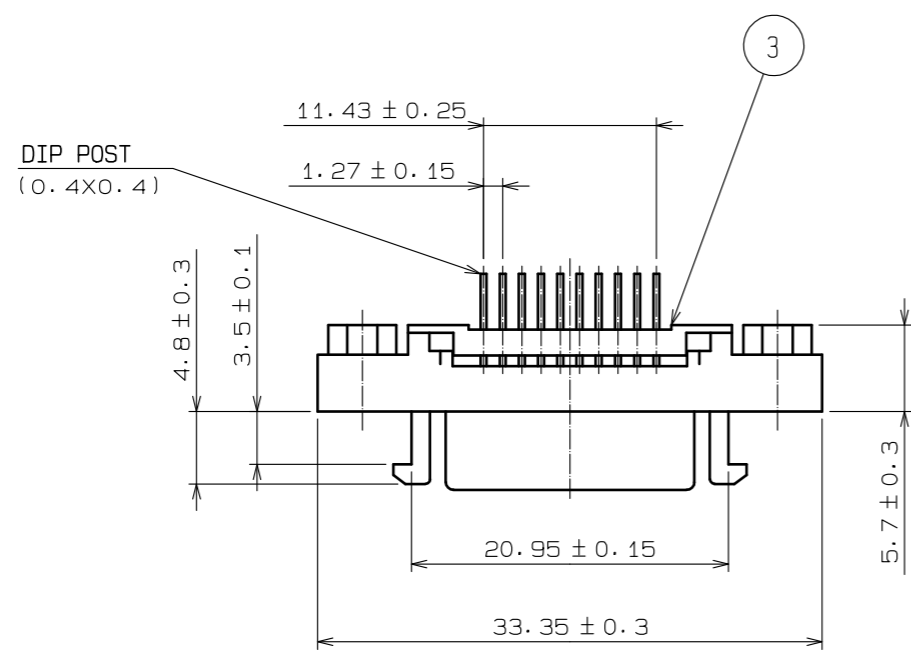


May.1.2024 Copyright 2024 HIROSE ELECTRIC CO., LTD. All Rights Reserved.
In case of consideration for using Automotive equipment / device which demand high reliability, kindly contact our sales window correspondents.



- NOTE 1 Contact area : Gold plating 0.3μm min
Lead area : Gold plating 0.03μm min
Under : Nickel plating 2μm min
- NOTE 2 This product must be screwed to the board.
Please prepare the screws by the customer.
<SCREW REQUIREMENTS>
NOMINAL DIAMETER: M2.6 x 0.45
SCREW LENGTH : 1.8 ± 0.45 + BOARD thickness 't'

3	PBT	UL94V-0(BLACK)							
2	PBT	UL94V-0(BLACK)	5	STEEL NICKEL PLATING					
1	PHOSPHOR BRONZE	NOTE 1	4	ZINC ALLOY DIE CASTING NICKEL PLATING					
NO.	MATERIAL	FINISH . REMARKS	NO.	MATERIAL	FINISH . REMARKS				
UNITS	mm	SCALE	2 : 1	COUNT	4	DESCRIPTION OF REVISIONS	DESIGNED	CHECKED	DATE
						DIS-E-00010989	KG. OKITA	MN. KENJO	20220908
APPROVED : HO. MIWA		20050105		DRAWING NO.		EDC3-041443-01			
CHECKED : YH. ENAMI		20050105		PART NO.		DX20M-20S(50)			
DESIGNED : TU. TANIGUCHI		20050105		CODE NO.		CL0230-5013-8-50			
DRAWN : TU. TANIGUCHI		20050105				1/1			