

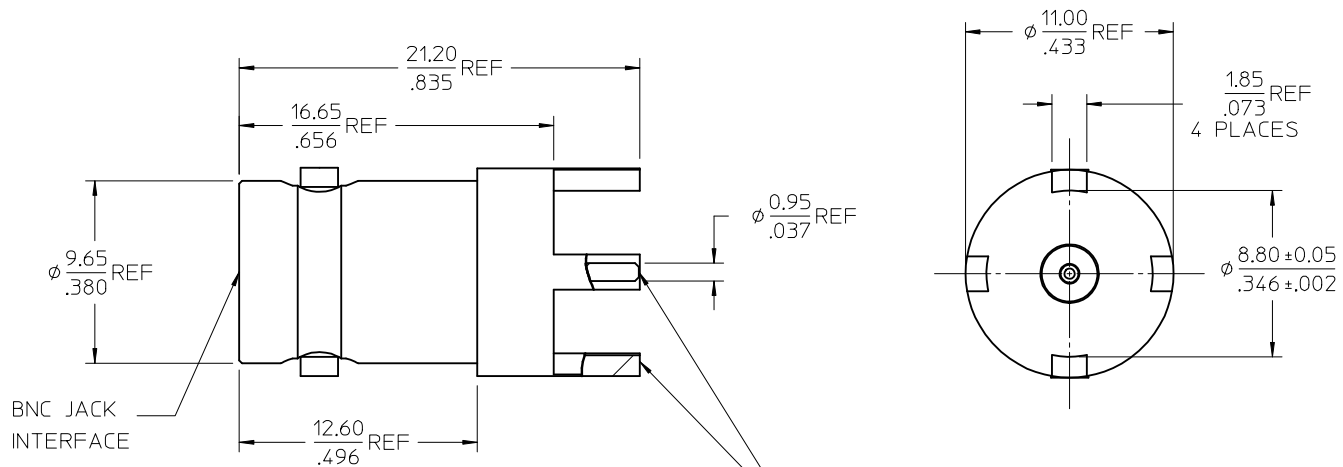
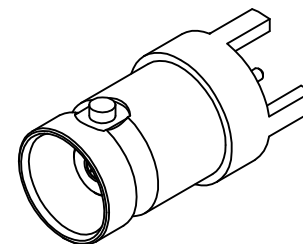
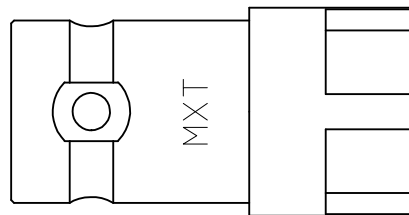
MATERIALS AND FINISHES

BODY: BRASS
PLATED NICKEL

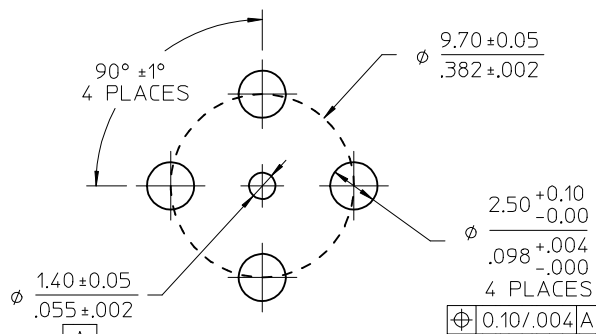
CENTER CONTACT: PHOSPHOR BRONZE
PLATED GOLD

INSULATOR: TEFLON

PRESS RING: BRASS
PLATED NICKEL



THE TIP OF THE CENTER CONTACT IS REFERENCED FLUSH TO THE LEGS



RECOMMENDED PCB PATTERN

| | |
|---------------|----------------------|
| PS-73598-0061 | ELECTRO/MECH PERFORM |
| SPECIFICATION | DESCRIPTION |

| | |
|------------|-------------------------|
| 73171-3050 | 73100-0153, ONE PER BAG |
| 73100-0153 | TRAY |
| PART NO. | PACKAGING |

| | | |
|--|-------------|-----------------|
| CHG: PKG 73100-0153 TRAY WAS BULK PER RF15-E225 EC NO: URF2015-0673 DRWING: ME102 2015/05/28 CHKD: APPR: YCHENG 2015/06/04 | DESCRIPTION | QUALITY SYMBOLS |
| B1 | | |

| | |
|--|-------------|
| GENERAL TOLERANCES (UNLESS SPECIFIED) | |
| mm | INCH |
| 4 PLACES ± --- ± --- | ± --- ± --- |
| 3 PLACES ± --- ± --- | ± --- ± --- |
| 2 PLACES ± --- ± --- | ± --- ± --- |
| 1 PLACE ± --- ± --- | ± --- ± --- |
| 0 PLACE ± | ± |
| ANGULAR ± 2 ° | |
| DRAFT WHERE APPLICABLE MUST REMAIN WITHIN DIMENSIONS | |

| | | | | |
|-----------------|--|------------------------|--------------|------------------------|
| DIMENSION STYLE | | SCALE | DESIGN UNITS | THIRD ANGLE PROJECTION |
| MM/IN | | | METRIC | |
| DRAWN BY | DATE | TITLE | | |
| FIELDS | 1994/08/29 | BNC JACK, VERTICAL PCB | | |
| CHECKED BY | DATE | 50 OHMS | | |
| APPROVED BY | DATE | BNC-J/PCB | | |
| MATERIAL NO. | | DOCUMENT NO. | | |
| SEE TABLE | | SD-73100-0153 | | |
| SIZE | THIS DRAWING CONTAINS INFORMATION THAT IS PROPRIETARY TO MOLEX. INCORPORATED AND SHOULD NOT BE USED WITHOUT WRITTEN PERMISSION | | | |

| | | | | |
|--------------|--|---------------|--|-----------|
| MATERIAL NO. | | DOCUMENT NO. | | SHEET NO. |
| SEE TABLE | | SD-73100-0153 | | 1 OF 1 |