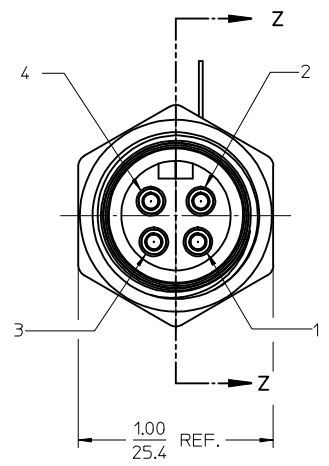
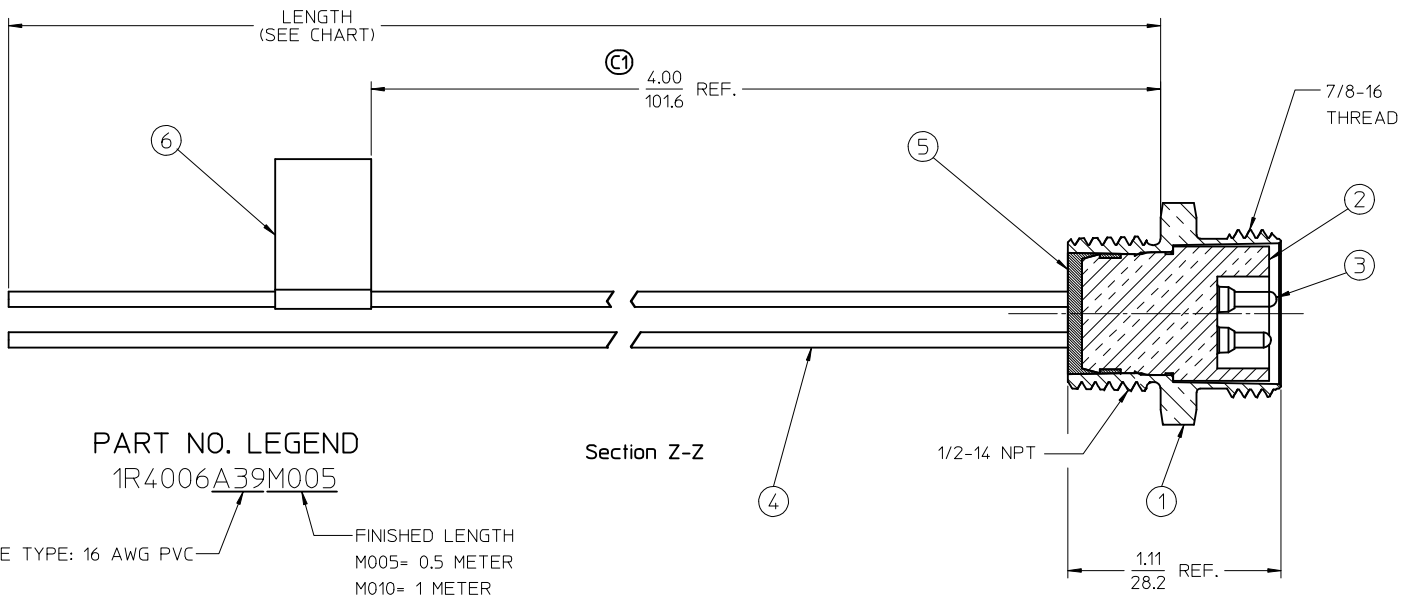
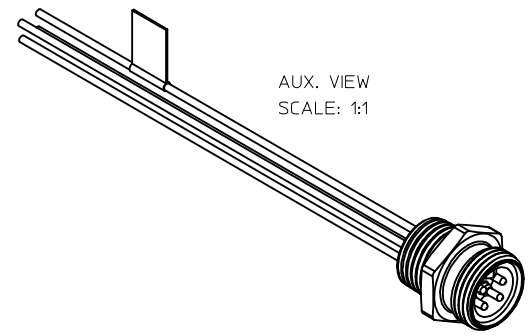


MATERIAL NO.	ENGINEERING NO.	LENGTH
1300130376	1R4006A39M005	0.5M
1300130377	1R4006A39M010	1.0M
1300130378	1R4006A39M020	2.0M

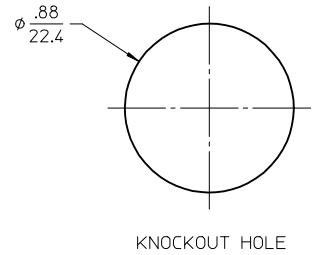
CABLE LENGTH TOLERANCES
 >.3M [1FT]: +19mm-0 [+1.75in-0]
 .3 - .9M [1 - 3FT]: +44.5mm-0 [+1.75in-0]
 .9 - 1.8M [3 - 6FT]: +55.6mm-0 [+2.19in-0]
 1.8 - 3.7M [6 - 12FT]: +88.9mm-0 [+3.50in-0]
 3.7 - 7.3M [12 - 24FT]: +165.1mm-0 [+6.50in-0]
 7.3-14.6M [24 - 48FT]: +317.5mm-0 [+12.50in-0]
 14.6 - 30.5M [48-100FT]: +622.3mm-0 [+24.50in-0]
 OVER 30M [100FT] +2% OF FINISHED LENGTH



PART NO. LEGEND
 1R4006A39M005

WIRE TYPE: 16 AWG PVC
 FINISHED LENGTH
 M005= 0.5 METER
 M010= 1 METER
 M100= 10 METERS

- NOTES:**
1. MATERIAL: AS NOTED
 2. FINISHES: AS NOTED
 3. ELECTRICAL SPECIFICATIONS
 VOLTAGE RATING: 483V PER IEC60664
 600V PER UL2238
 CURRENT RATING: 10 AMPS
 4. PROTECTION: IP67 (WHEN MATED)
 5. TEMP RANGE: -20°C TO +105°C
 6. AGENCY RECOGNIZED: E152210
 7. DIMS SHOWN ARE FOR REFERENCE UNLESS NOTED OTHERWISE



WIRE DIAGRAM

BROWN	1
WHITE	2
BLUE	3
BLACK	4

PIN-OUT PER CENELEC COLOR CODE

ITEM	QTY.	DESCRIPTION	MATERIAL	FINISH
6	1	LABEL	VINYL	BLACK/YELLOW
5	1	POTTING MATERIAL	EPOXY	
4	4	WIRE, 16 AWG	PVC INSULATION	SEE WIRE DIAGRAM
3	4	CONTACT PIN	Cu ALLOY	GOLD PLATED
2	1	INSERT	PVC	YELLOW
1	1	RECEPTACLE SHELL	ZINC DIE-CAST	BLACK

QUALITY SYMBOLS
 ▽=0
 ▽=0

REV C1

GENERAL TOLERANCES (UNLESS SPECIFIED)

	mm	INCH
4 PLACES	± .15	± .005
3 PLACES	± .10	± .004
2 PLACES	± .08	± .003
1 PLACE	± 0.3	± .012

ANGULAR ±1/2°

DRAFT WHERE APPLICABLE MUST REMAIN WITHIN DIMENSIONS

DIMENSION STYLE IN/MM

DRAWN BY R.STONE DATE 2009/08/24

CHECKED BY B.WOODMAN DATE 2009/08/27

APPROVED BY JFMURPHY DATE 2009/08/26

MATERIAL NO. -

SCALE 2:1

DESIGN UNITS INCH

THIRD ANGLE PROJECTION

TITLE MINI-CHANGE, RECEPTACLE 4P, MALE, 16 AWG

MOLEX MOLEX INCORPORATED

DOCUMENT NO. SD-130013-080

SHEET NO. 1 OF 1

THIS DRAWING CONTAINS INFORMATION THAT IS PROPRIETARY TO MOLEX INCORPORATED AND SHOULD NOT BE USED WITHOUT WRITTEN PERMISSION