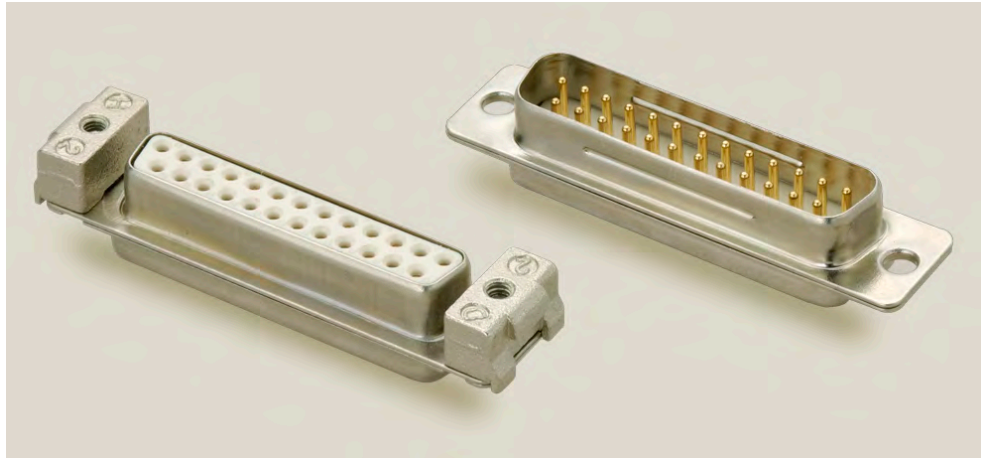


# D-Sub Connectors Solder Cup Termination

## 17JE Series

DDK Ltd.



Conforming Standard  
MIL-DTL-24308

### FEATURES

- Solder-cup termination contact for manual soldering.
- Number of contact is 9, 15, 25 and 37.
- Stranded cable AWG22 is applicable to this connector. Please use the soldering iron of 40W (max.)
- The metal shell is in Nickel plating. The pin connectors of metal shell are beat-finished.
- Connection of cable and plug can be shielded by the metarize-finished hood, improving resistance against EMI shield.

### SPECIFICATIONS

Rated Voltage	300V AC (r.m.s.)
Rated Current	5A / Contact
Dielectric Withstanding Voltage	1000V AC (r.m.s.) / 1 minute
Insulation Resistance	1000M Ω (min.) at 500V DC
Contact Resistance	10m Ω (max.)
Applicable Cable	Solid Cable AWG20(max.), Stranded Cable AWG22(max.)
Operating Temperature	Connector : -25°C~ 85°C Hood Kit : -25°C~ 60°C

### MATERIAL / FINISH

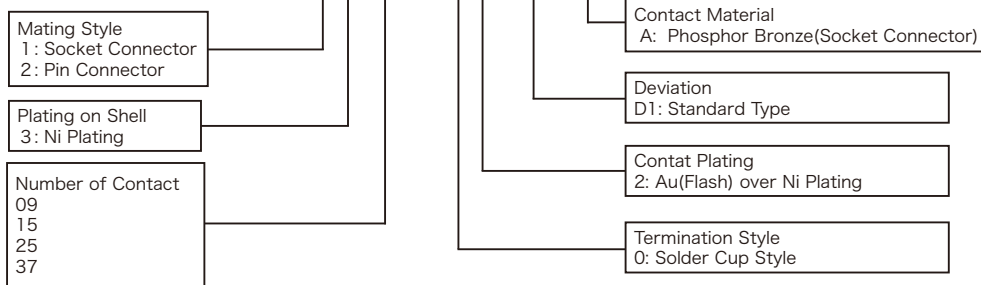


Item	Material / Finish
Insulator	PBT Resin (UL94V-0) / White
Shell	Steel / Ni Plating
Contact	Copper Alloy / Au over Ni Plating
Hood	ABS Resin / Ni Plating
Lock Screw	Steel or Copper Alloy / Ni Plating

© Specifications and/or dimensions in this catalog are subject to change without notice.  
Please verify the latest specifications with our drawings.

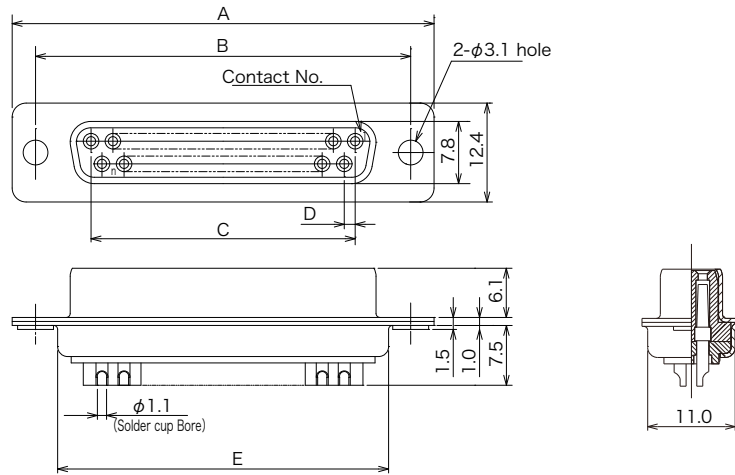
▶ Solder Cup Termination Connector

17JE-13250-02(D1)A



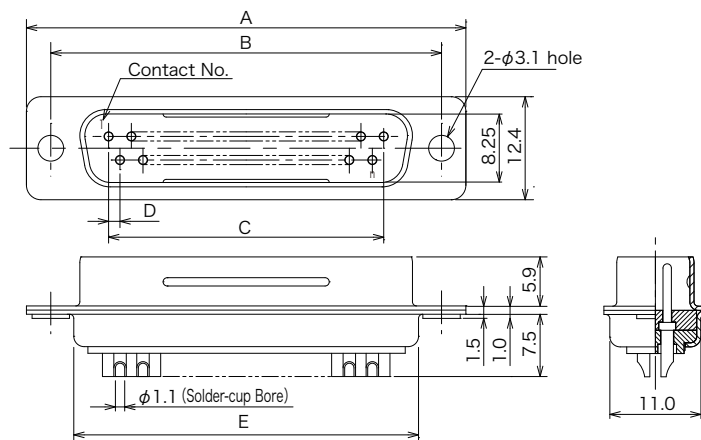
17JE-13 ●● 0-02(D1)A ●● : Number of Contact

Socket Connector



17JE-23 ●● 0-02(D1)

Pin Connector



Number of Contact	Part Number		A	B	C	D	E
	Socket Connector	Pin Connector					
9	17JE-13090-02(D1)A	17JE-23090-02(D1)	30.70	24.99	10.98	1.37	19.50
15	17JE-13150-02(D1)A	17JE-23150-02(D1)	39.00	33.32	19.20	1.37	27.75
25	17JE-13250-02(D1)A	17JE-23250-02(D1)	52.90	47.04	33.12	1.38	41.50
37	17JE-13370-02(D1)A	17JE-23370-02(D1)	69.20	63.50	49.66	1.38	57.95

© Specifications and/or dimensions in this catalog are subject to change without notice.  
Please verify the latest specifications with our drawings.

▶ D-Sub Connectors with Cable Hood Kit

Connector with Cable Hood Kit (for Standard Cable)

EMI Shielded

**17JE-13250-02(D8Ax)A-CG**

Mating Style  
1: Socket Connector (for Standard Cable)  
2: Pin Connector (for Standard Cable)

Plating on Shell  
3: Ni Plating

Number of Contact  
09, 15, 25, 37

Termination  
0: Solder-cup

Contact Plating  
2: Au(Flash) over Ni Plating

Lead and Cadmium Free  
A-CG : Lead and Cadmium Free (Socket Connector)  
-CG : Lead and Cadmium Free (Pin Connector)

Deviation  
D 8 A x  
Lock Screw  
No Digit : Standard  
2, 6 : Refer to page 7  
Thread  
A : M2.6×0.45  
B : M3×0.5  
C : # 4-40UNC  
Straight Hood  
Nickel Plating Metarised-finish

Connector with Cable Hood Kit (for Slim Cable)

EMI Shielded

**17JE-33250-02(D8Ax)A-CG(R1)**

Mating Style  
3: Socket Connector (for Slim Cable)  
4: Pin Connector (for Slim Cable)

Plating on Shell  
3: Ni Plating

Number of Contact  
09, 15, 25, 37

Termination  
0: Solder-cup

Contact Plating  
2: Au(Flash) over Ni Plating

Lead and Cadmium Free  
A-CG : Lead and Cadmium Free (Socket Connector)  
-CG : Lead and Cadmium Free (Pin Connector)

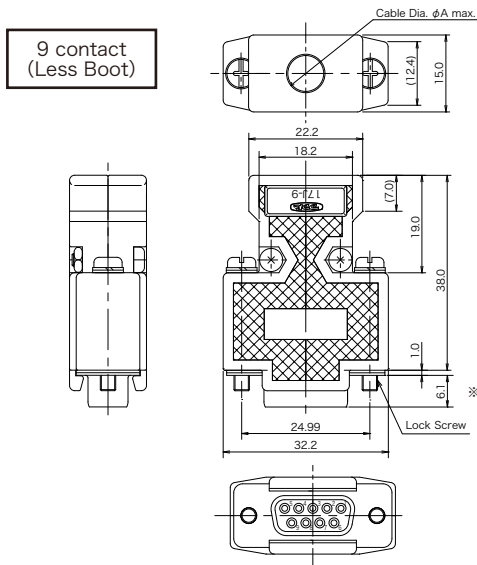
Deviation  
D 8 A x  
Lock Screw  
No Digit : Standard  
2, 6 : Refer to page 7  
Thread  
A : M2.6×0.45  
B : M3×0.5  
C : # 4-40UNC  
Straight Hood  
Nickel Plating Metarised-finish

\* : (R1) of part name of 9 contacts is nothing.

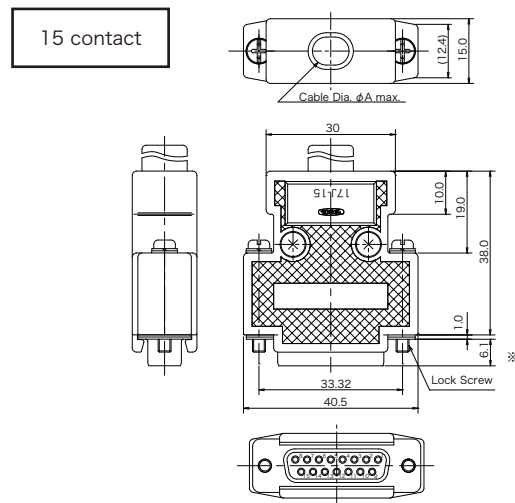
© Specifications and/or dimensions in this catalog are subject to change without notice.  
Please verify the latest specifications with our drawings.

Solder Cup Termination Connector

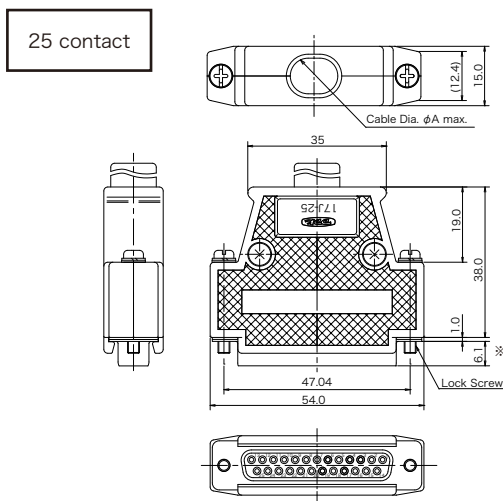
Socket Connector



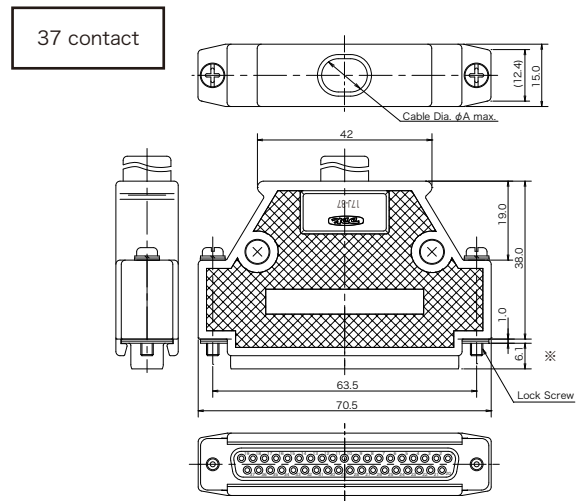
Part Number	Cable Dia φ A
17JE-13090-02(D8 □ x) A-CG	φ 7.5 max.
17JE-33090-02(D8 □ x) A-CG	φ 5.1 max.



Part Number	Cable Dia φ A
17JE-13150-02(D8 □ x) A-CG	φ 8.0 max.
17JE-33150-02(D8 □ x) A-CG(R1)	φ 5.7 max.



Part Number	Cable Dia φ A
17JE-13250-02(D8 □ x) A-CG	φ 9.0 max.
17JE-33250-02(D8 □ x) A-CG(R1)	φ 6.6 max.



Part Number	Cable Dia φ A
17JE-13370-02(D8 □ x) A-CG	φ 10.5 max.
17JE-33370-02(D8 □ x) A-CG(R1)	φ 7.4 max.

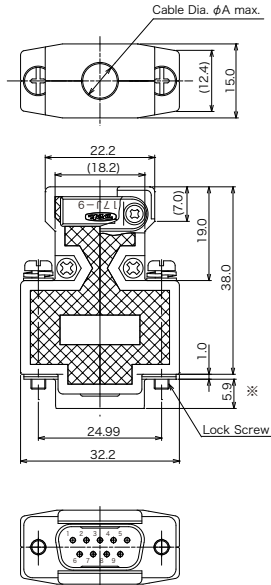
※ Dimension is including the connector.

© Specifications and/or dimensions in this catalog are subject to change without notice.  
Please verify the latest specifications with our drawings.

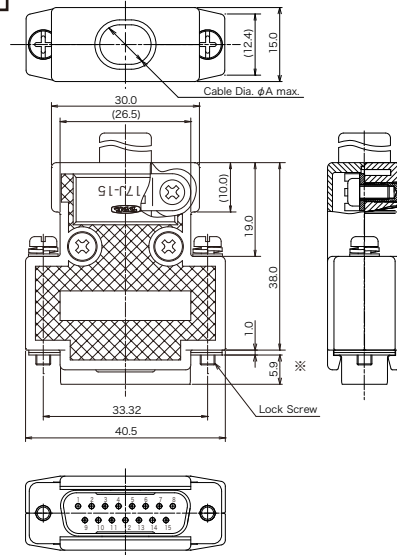
► Solder Cup Termination Connector

Pin Connector

9 contact  
(Less Boot)



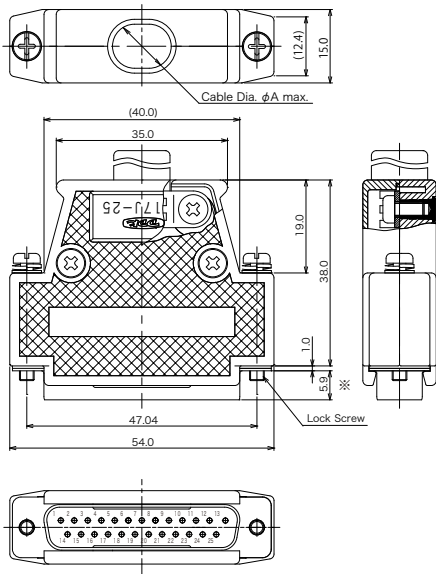
15 contact



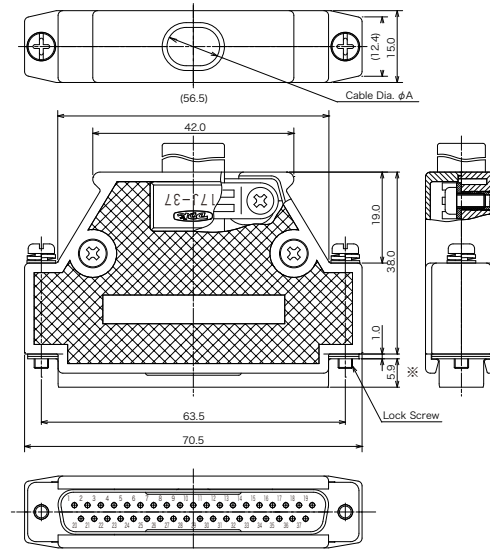
Part Number	Cable Dia φ A
17JE-23090-02(D8 □ x) -CG	φ 7.5 max.
17JE-43090-02(D8 □ x) -CG	φ 5.1 max.

Part Number	Cable Dia φ A
17JE-23150-02(D8 □ x) -CG	φ 8.0 max.
17JE-43150-02(D8 □ x) -CG(R1)	φ 5.7 max.

25 contact



37 contact



Part Number	Cable Dia φ A
17JE-23250-02(D8 □ x) -CG	φ 9.0 max.
17JE-43250-02(D8 □ x) -CG(R1)	φ 6.6 max.

Part Number	Cable Dia φ A
17JE-23370-02(D8 □ x) -CG	φ 10.5 max.
17JE-43370-02(D8 □ x) -CG(R1)	φ 7.4 max.

※ Dimension is including the connector.

© Specifications and/or dimensions in this catalog are subject to change without notice.  
Please verify the latest specifications with our drawings.

▶ Panel Mount Deviation

Part number when fixing to panel

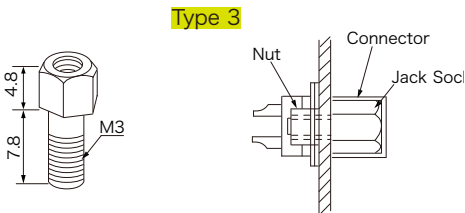
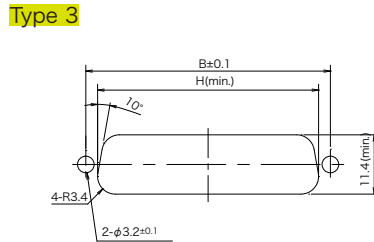
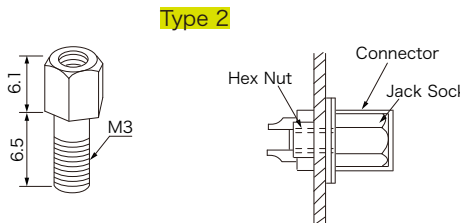
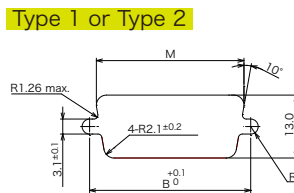
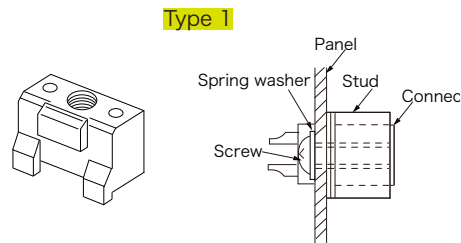
Mounting Style	Front Mount	Front Mount	Rear Mount
Stud Jack Socket			
17L-002 □ Type 1	Assembled with Stud , Pan-head Screw Socket 17JE-13 ●● 0-02(D2 □ )-CG Pin 17JE-23 ●● 0-02(D2 □ )-CG		
17L-003 □ 1 Type 2		Jack socket and hex nut(M3) are attached. • Socket 17JE-13 ●● 0-02(D3 □ )A • Pin 17JE-23 ●● 0-02(D3 □ )	
17L-003 □ 3 Type 3			Jack socket and hex nut(M3) are attached. • Socket 17JE-13 ●● 0-02(D4 □ )A • Pin 17JE-23 ●● 0-02(D4 □ )

□ : Thread Size    A : M2.6×0.45    ●● :Number of Contact    □ : not available  
 B : M3×0.5    09,15,25,37  
 C : # 4-40UNC

Panel Mounting Configuration

● Panel Cut-out Dimensions

(Panel thickness: 0.8 ~ 1.3mm)



Number of Contact	B	H	M
9	24.99	20.5	22.2
15	33.32	28.8	30.5
25	47.04	42.5	44.3
37	63.50	59.1	60.7

© Specifications and/or dimensions in this catalog are subject to change without notice.  
 Please verify the latest specifications with our drawings.

